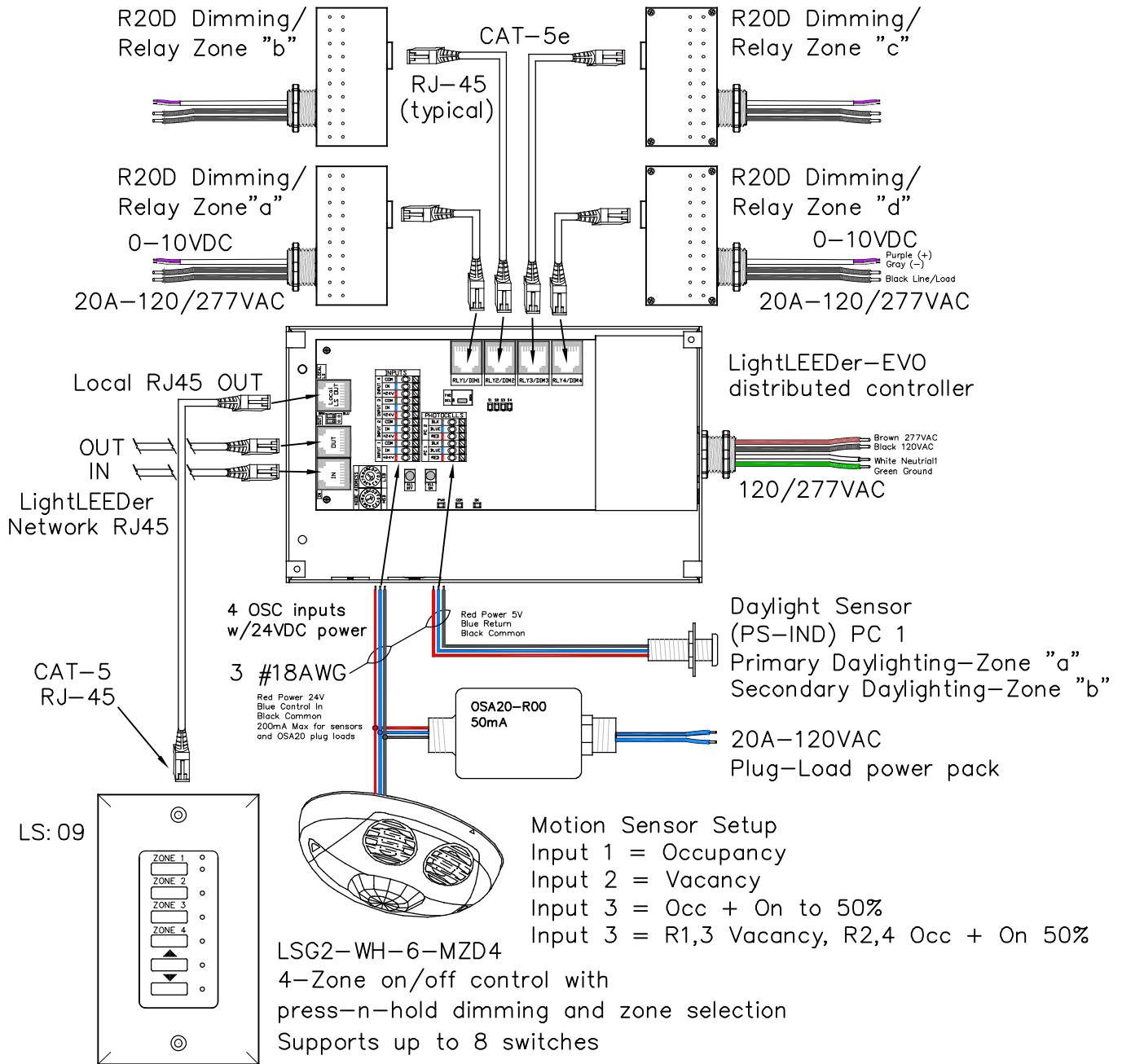


(F2) LL-EVO 1-Room, 4-Zone, 2-Daylight Zone



LightLEEDer EVO 4-Zone panel with 4-remotly mounted R20D relays
Daylight sensor with independent zone settings, Motion sensor inputs for up to 4 independent zones or local hardwire switch. Optional plug-load relay.
Local LightSync output for Multi-Zone Dimmer station (MZD) with raise/lower press-n-hold dimming, supports from 1 to 8 LightSync input devices.



5229 Edina Industrial Boulevard
Minneapolis, Minnesota 55439
Ph: 952.829.1900 Fax: 952.829.1901
1.800.922.8004
www.ilc-usa.com

Project:

(F2) LL-EVO Lighting Application Sheet
1-Room, 4-Zone, 2-Daylight Zone
LightLEEDer EVO Distributed Controller

SHEET INFORMATION

DATE: 2-15-2018

SCALE: NONE

DRAWN BY: JM&BE

GO#

Sheet:

F2-EVO