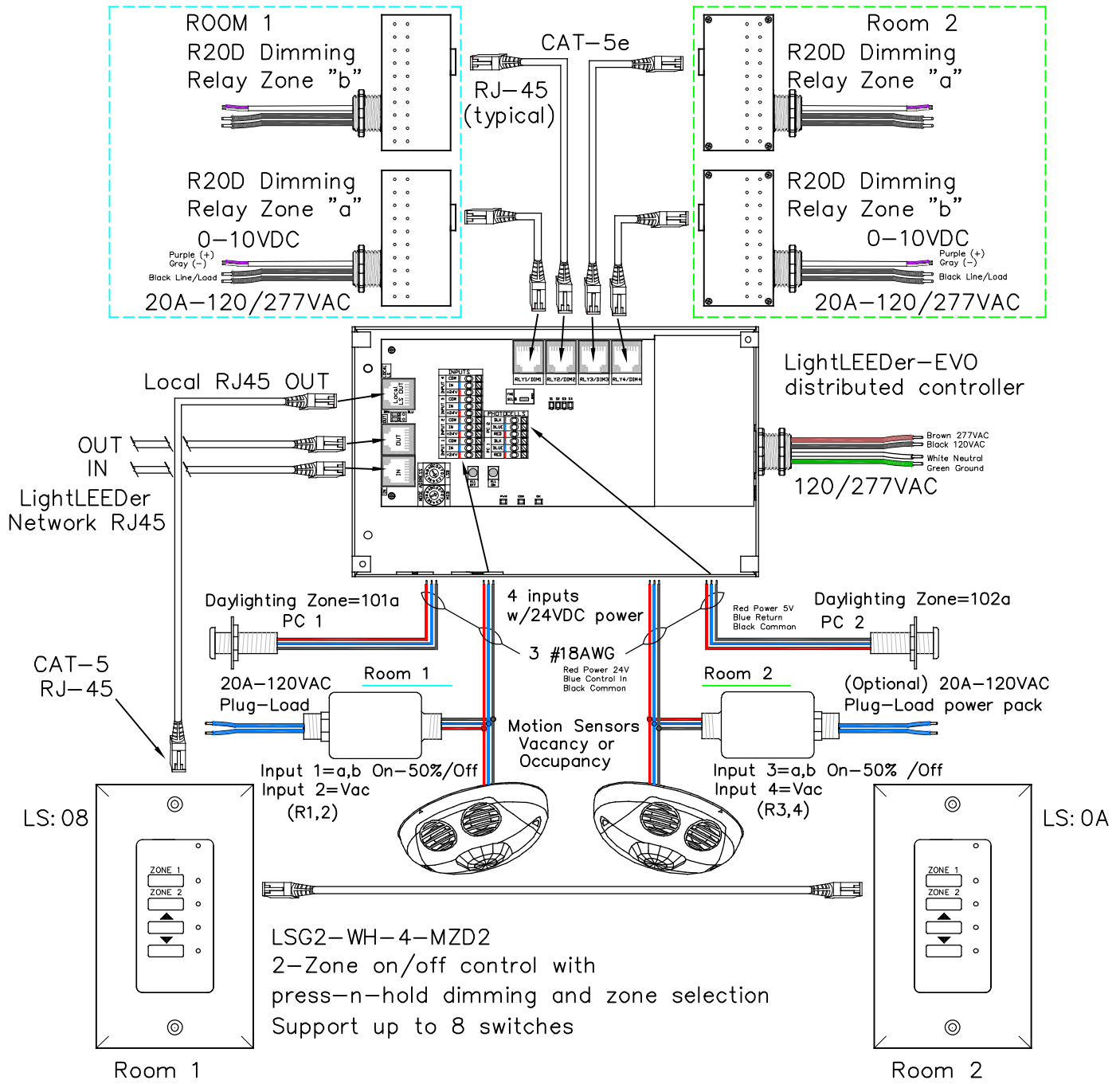


# (F3) LL-EVO 2-room, 2-zone, 1-daylight zone



LL-EVO panel used for controlling 2 independent rooms with 2 zones each LightLEEDer EVO 4-Zone panel with 4-remotely mounted R20D relays. Two daylight sensor inputs with independent zone settings, motion sensor inputs For up to 4 independent zones, or hardwire switch. Optional plug-load relay, Local LightSync output for Multi-Zone Dimmer station (MZD)with raise/lower press-n-hold dimming, supports 1 to 8 LightSync input devices.



5229 Edina Industrial Boulevard  
Minneapolis, Minnesota 55439  
Ph: 952.829.1900 Fax: 952.829.1901  
1.800.922.8004  
www.ilc-usa.com

Project:

(F3) LL-EVO Lighting Application Sheet  
2-Room, 2-Zone, 1-Daylight Zone  
LightLEEDer EVO Distributed Controller

SHEET INFORMATION

DATE: 9-20-2017

SCALE: NONE

DRAWN BY: JM&BE

GO#

---

Sheet:

F3-EVO