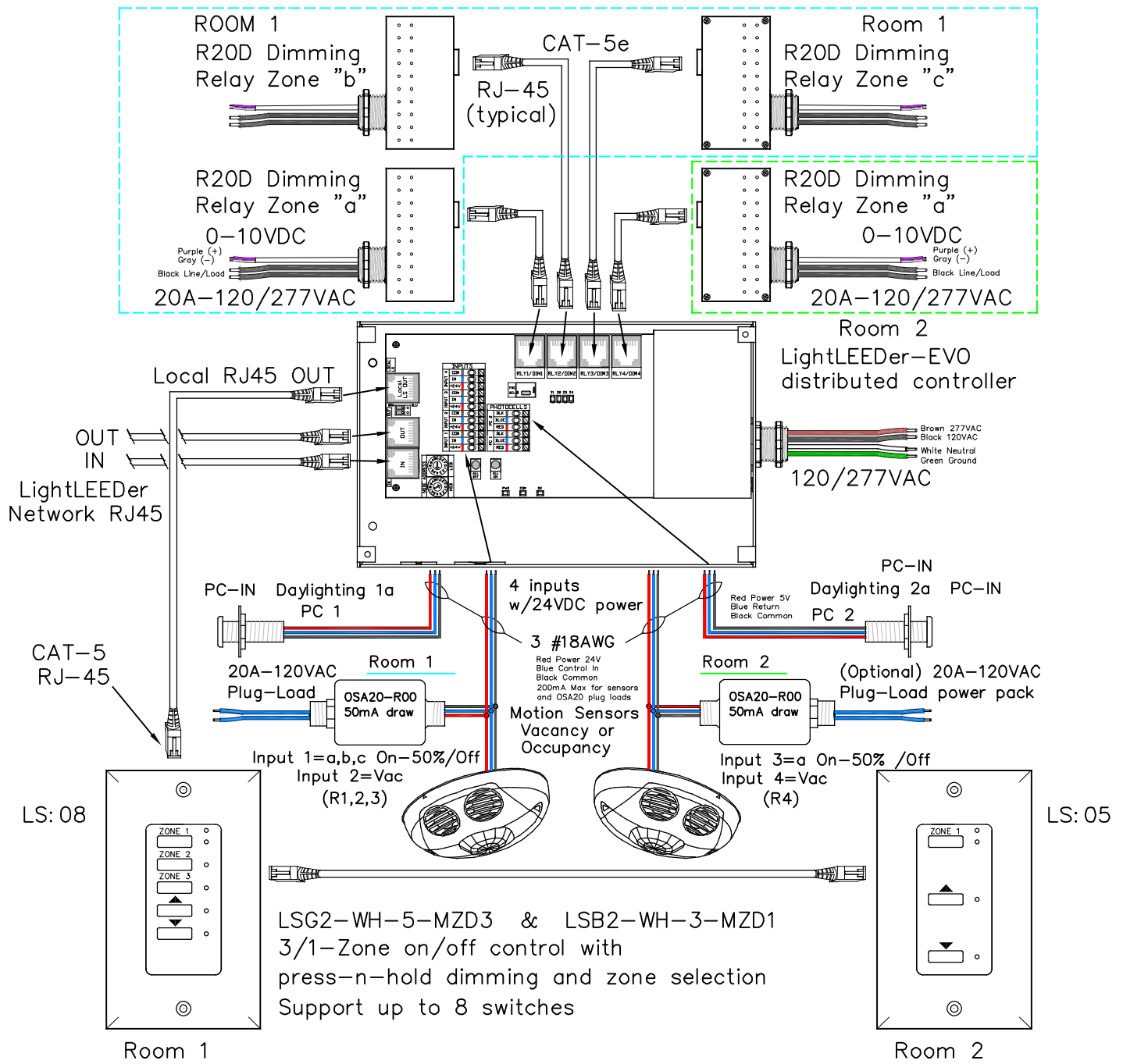


(F5) LL-EVO 2-Room, 3/1-Zone, 1-Daylight Zone



LL-EVO panel used for controlling 2 independent rooms with 2 zones each LightLEEDer EVO 4-Zone panel with 4-remotely mounted R20D relays. Two daylight sensor inputs with independent zone settings, motion sensor inputs for up to 4 independent zones, or hardwire switch. Optional plug-load relay, Local LightSync output for Multi-Zone Dimmer station (MZD) with raise/lower press-n-hold dimming, supports 1 to 8 LightSync input devices.