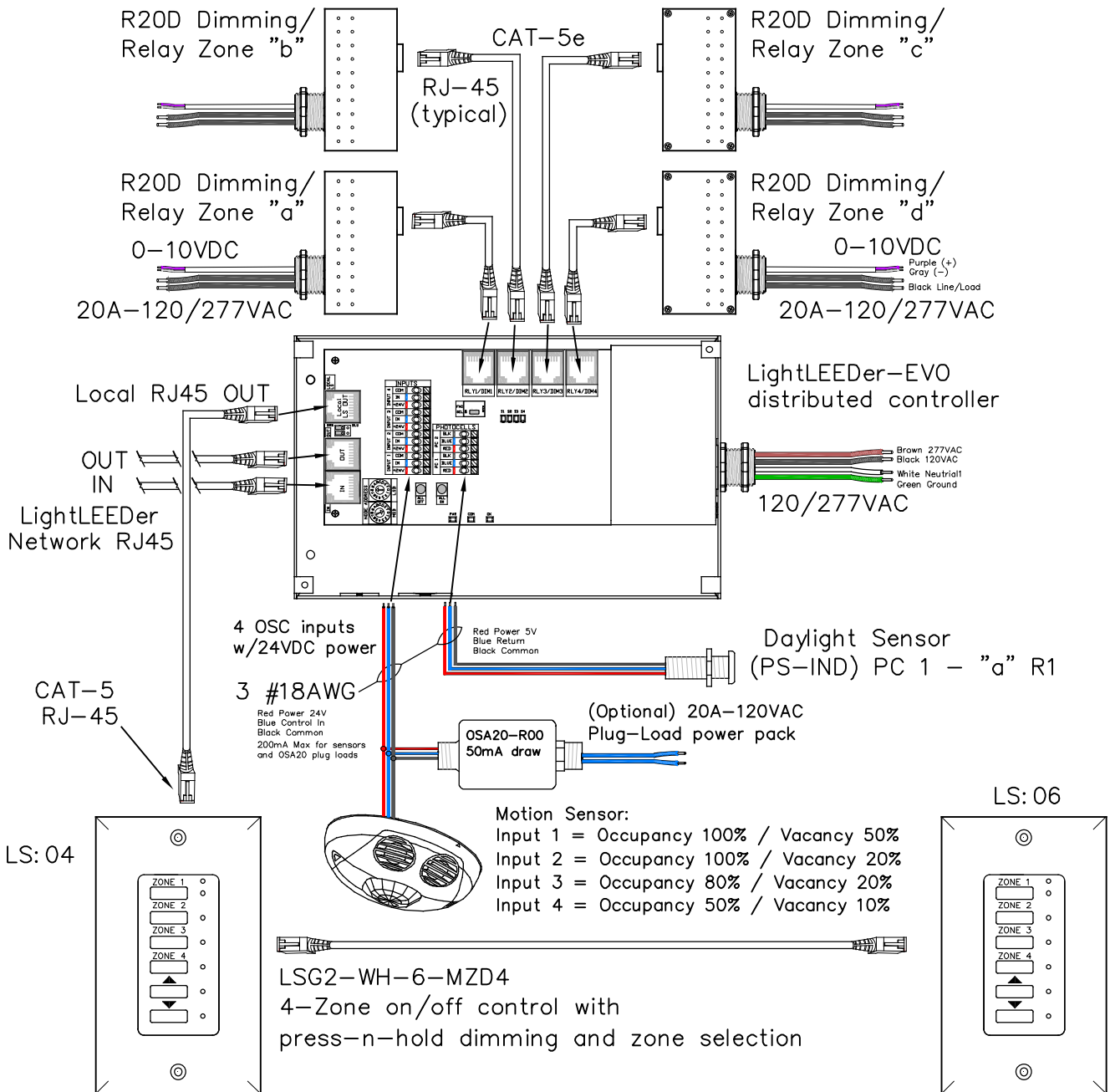


# (F9) LL-EVO 1-Room, 4-Zone, 1-Daylight Zone Motion Sensor 100% Occupied/ 50% Vacantcy Dimming



LightLEEDer EVO 4-Zone panel with 4-remotly mounted R20D relays  
 Daylight Sensor w/ Independent zone settings, Motion sensor inputs for up to 4 independent zones or local hardwire switch. Optional plug-load relay.  
 Local LightSync output for Multi-Zone Dimmer station (MZD) with raise/lower press-n-hold dimming, supports from 1 to 8 LightSync input devices.