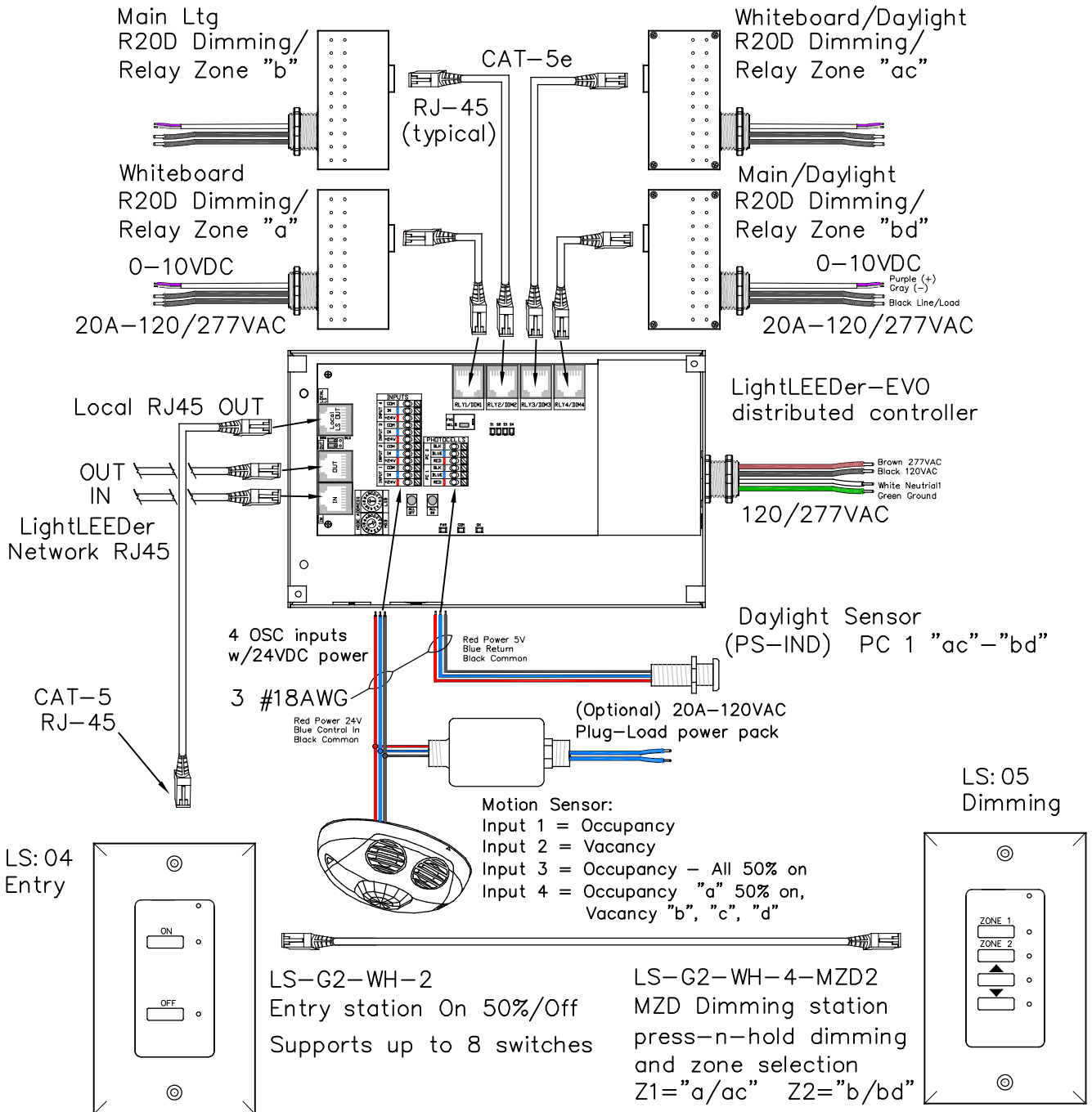


(FB) LL-EVO 1-Classroom, 4-Zone, 1-Daylight Zone

a - b - ac - bd Lighting Zones



LightLEEDer EVO 4-Zone panel with 4-remotly mounted R20D relays
 Daylight Sensor with independent zone settings, Motion sensor inputs for up to 4 independent zones or local hardwire switch. Optional plug-load relay.
 Local LightSync output for Multi-Zone Dimmer station (MZD) with raise/lower press-n-hold dimming, supports from 1 to 8 LightSync input devices.