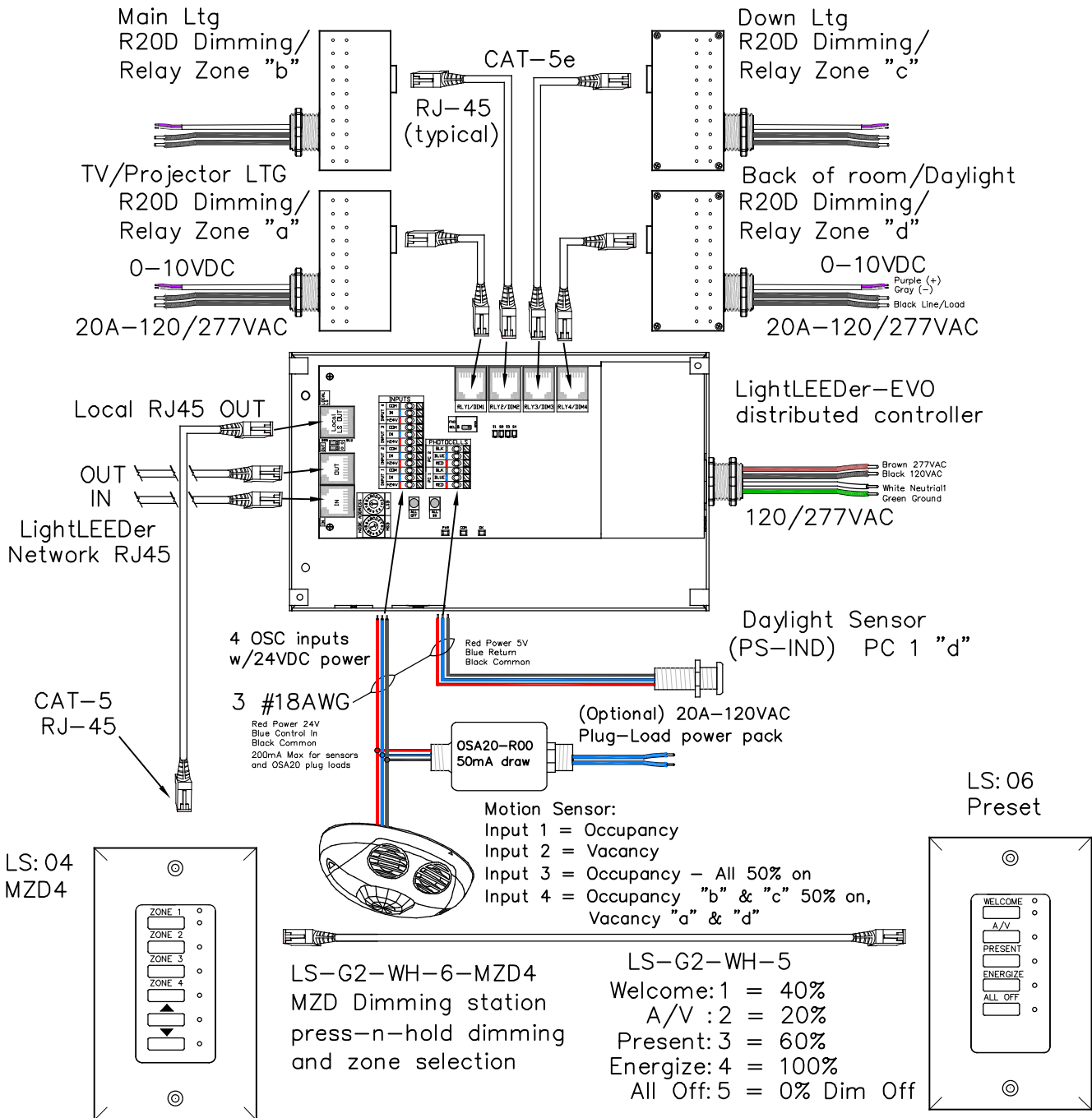


# (FC) LL-EVO 1-Conference Room, 4-Zone, 1-Daylight Zone, MZD4 & 5-Preset Station



LightLEEDer EVO 4-Zone panel with 4-remotly mounted R20D relays  
Daylight Sensor w/ Independent zone settings, Motion sensor inputs for up to 4 independent zones or local hardwire switch. Optional plug-load relay.  
Local LightSync output for Multi-Zone Dimmer station (MZD) with raise/lower press-n-hold dimming, supports from 1 to 8 LightSync input devices.



INTELLIGENT LIGHTING  
CONTROLS, INC.  
5229 Edina Industrial Boulevard  
Minneapolis, Minnesota 55439  
Ph: 952.829.1900 Fax: 952.829.1901  
1.800.922.8004  
www.ilc-usa.com

Project:

(FC) LL-EVO Lighting Application Sheet  
1-Conference Room, 4-Zone,  
1-Daylight Zone, MZD4, 5-Preset Station  
LightLEEDer EVO Distributed Controller

SHEET INFORMATION

DATE: 2-15-2018

SCALE: NONE

DRAWN BY: JM&BE

GO#

Sheet:  
FC-EVO