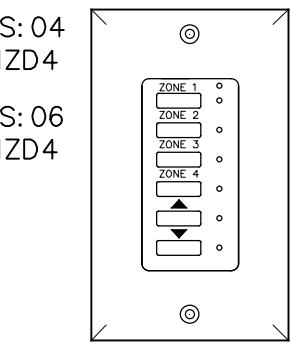
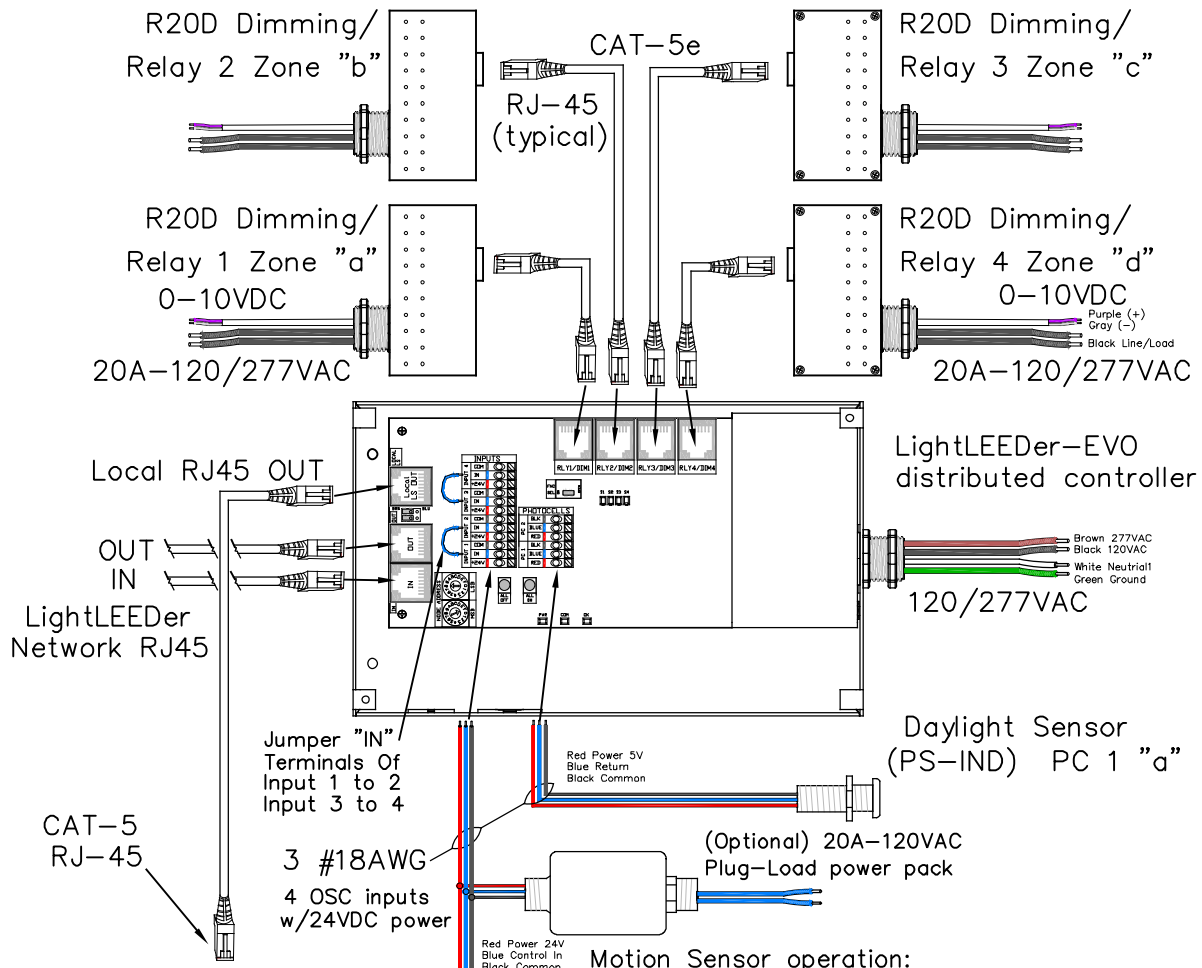


# (FE) LL-EVO Open Office, Open Timer ON / Closed -Occupancy, 4-zone, 1-daylight zone



**Motion Sensor operation:**  
 Input 1 & 2 to be jumpered together for On-On/Off  
 Input 3 & 4 to be jumpered together for On-On/Off w/50%  
 Open-Timer 1 to Sweep-On R1-4 and set Dimming to 50%  
 Motion sensor inputs 1&3 during Day for On-Only operation  
 Close-Timer 2 will change active inputs to 2&4 for ON/Off  
 Timer 1 set for 6:00am / Timer 2 set for 10pm  
 using 7-day Open/Close schedule

LightLEEDer EVO 4-Zone panel with 4-remotly mounted R20D relays  
 Daylight Sensor w/ Independent zone settings, Motion sensor inputs for up  
 to 4 independent zones or local hardwire switch. Optional Plug-load relay.  
 Local LightSync output for Multi-Zone Dimmer station with Raise/Lower  
 press-n-hold dimming, supports from 1 to 8 LightSync input devices.