



- 365-day programmable Lighting Control Panel
- All products Made in the USA
- LightSync™ switch and accessory ready
- Network up to 48 relay control points
- Available in 4, 8, 16 and 32 relay panel sizes
- Uses 16 Amp latching relay
- Optional add-on modules available, including 0-10V dimming module
- Programming software provided with every panel
- USB, modem and TCP/IP connectivity available



Overview

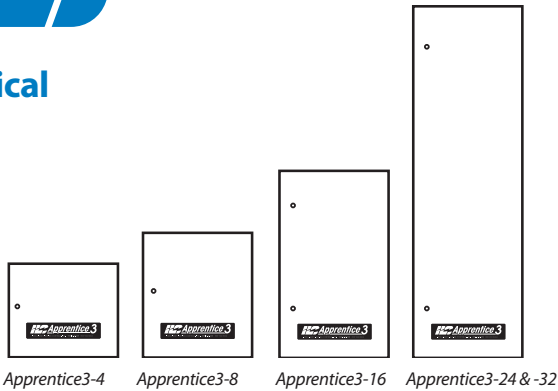
The Apprentice 3 programmable lighting control panel is an energy saving lighting controller. You can network up to 48 control points and 64 LightSync™ devices per network and connect via easy to use RJ-45 ports. Connect and program panels using a USB port on a laptop and our free Apprentice 3 software. Add-on cards are easy to install and add the following capabilities: BACnet, LonWorks, N2, MODBUS, TCP/IP, or modem interface, DMX control and DTMF telephone switching. Also optional remote mount 0-10V isolated dimming control modules for standard daylight harvesting operations.

Features

- **Made in the USA** relays and hardware.
- **Programming Options** are done with an Integrated keypad with 4-line LCD display or using Apprentice 3 Pro software via USB or TCP/IP.
- **LightSync Data Line Device Ready** utilizing RJ45 connectors and standard CAT-5 cabling for data line.
- **Network capability** allows you to connect panels for up to **48 outputs** and **64 LightSync** devices per network.
- **Internet Capability** to program, monitor, and control panels across the network or internet with the addition of a TCP/IP module.
- **Relay Groups** consist of any relay on the network and can be assigned to any of the **48 available groups** — controlled by any timer, switch, or other external commands.
- **Relay Presets** can be programmed from any relay ON/OFF patterns and be assigned to any of the **48 available presets** — controlled by any timer, switch, or other external commands.
- **Timer Scheduling** for **48 available timers** that can turn relays ON or OFF for Time-of-Day, Astronomical times, and Open/Close.
- **Clock Functions** include Automatic Astronomical calculation of Sunrise and Sunset and Adjustable Daylight Saving Time and Enable/Disable.
- **Switching Inputs** accepts virtually any type of switch input, momentary or maintained, 2- or 3-wire switch and directly powers data line switches and devices.
- **Add-On Modules** can be added to each controller, including BACnet IP, BACnet MSTP, Modbus RTU, Modbus ASCII, N2, LonWorks, DMX512, TCP/IP, DTMF telephone switching and modem. Also optional remote mount 0-10V isolated dimming control modules for 48 zones.
- **Expansion panels** with 4 to 16 relays are available to expand the number of relay outputs on a standard panel.



Physical



Enclosure Size Options (NEMA Type 1 w/cover)				
Enclosure Type	Relays	Width	Height	Depth
Apprentice3-4	4	14 in.	12 in.	4 in.
Apprentice3-8	8	14 in.	16 in.	4 in.
Apprentice3-16	16	14 in.	24 in.	4 in.
Apprentice3-24	24	16 in.	42 in.	4 in.
Apprentice3-32	32	16 in.	42 in.	4 in.

Specifications

Relays:

- **1 Pole relays (1PR)** with control for 16 Amp loads up to 347VAC, used for electronic ballasts, ballasts, resistive and general loads.
- **2 Pole relays (2PR)** with the same footprint as the single pole, control of 16 Amp loads up to 347VAC per pole used for electronic ballasts, ballasts, resistive and general loads, 208/240/480VAC 2-pole circuits.

Safeguards:

- **Power surge and spike suppression** up to 123 volts on the 24VAC power input
- **Memory retention** for firmware and programming up to 50 years
- **Real-Time-Clock time retention** 45 days or greater without power

Physical:

- NEMA1 galvanized enclosure, optional NEMA 4 and 4X enclosure available
- Double sided construction for wiring on both sides
- Provided with pre-drilled mounting holes

- Painted removable hinged locking door for flush or surface mounting
- High voltage barriers separate Normal/Emergency and Class 2 wiring

Electrical:

- 120/ 277 VAC or optional 120/ 347 VAC
- 1 Amp

Capacities:

- 4, 8, 16, 24 or 32 relays

Operating Environment:

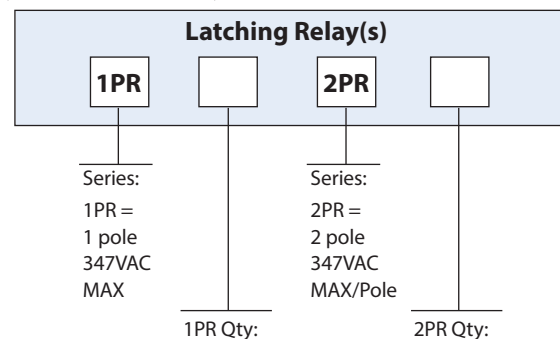
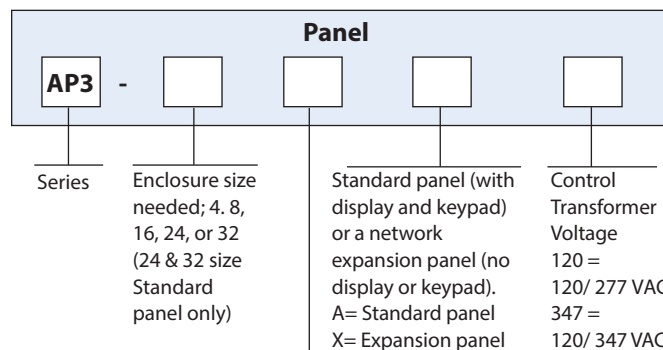
- Location: Interior space
- Operating Temp.: 0° to 40° C
- Humidity: 10% - 90% Non-condensing
- Vibration: Stationary

Certifications and Approvals:

- UL CUL
- FCC Part 15
- FCC Part 68
- Title 24
- ASHRAE compliant

Ordering

Ordering Notes: - Only 1 standard panel allowed per network.
- Expansion panels can only have 4, 8, or 16 relays/panel.



Number of 4-input hardwire switch interface boards. 4 size will accept one board, 8 will accept two, 16 will accept four, 24 will accept 6, and 32 will accept eight.