



TR-RETRO 120 & 277 Relays

Self-Powered Transformer Retrofit Relay

- Intelligent Retrofit Circuit causes relay to go to ON status automatically upon activation or reactivation of controlled circuit
- Unique patented built-in Class 2 Transformer power supply
- Magnetically latching contacts
- Single moving part design
- Operates in any position
- Unmatched endurance
 - 200,000 (ON/OFF) cycles, at FULL LOAD
 - 1,000,000 (ON/OFF) cycles, at no load
- 20 amp 120 or 277 VAC operation
- UL, FCC approval for commercial and residential use



Overview

The TR-RETRO Relay is an adaptation of ILC's standard TR Relay series. Specifically designed for retrofit applications, TR-RETRO Relays have installed within the neck of the relay a specially designed circuit that causes the relay to be automatically set to the "ON" condition whenever power is connected. Because of this unique feature TR-RETRO Relay can be installed with existing wall switches in place. After a TR-RETRO Relay has been installed, existing wall switches may be used to turn the controlled lighting circuit "ON" and "OFF" just as before the retrofit, but now you can take advantage of the low voltage switch capabilities of the TR-RETRO Relay to perform energy-saving tasks such as OFF Sweeps and other automatic scheduling functions. All without the need for extensive and costly rewiring.

Features

General Information

- UL, CUL Listed
- Mounts in standard 1/2" K.O. .865" - .875" diameter, 14 or 16 gauge material
- Operates in any position

Line Voltage Characteristics

- Contacts: SPST Maintained (permanent magnet latching)
- Termination: Color Coded, 6" Pigtail Leads
 - Line - 14 AWG, Black
 - Load - 14 AWG, Blue
 - Neutral - 18 AWG, White

Low Voltage Characteristics

- Single transformer secondary-relay operating coil - 15 VAC open circuit and 200 mA short circuit, maximum
- 3 Wire low voltage control
 - Black "OFF"
 - Red "ON"
 - Yellow "Common"
- Duty Rating: Momentary
- Minimum activating pulse time: 50 milliseconds

FOR USE IN
SA SN EN
LIGHTMASTER NETWORKS

INTELLIGENT LIGHTING
CONTROLS, INC.

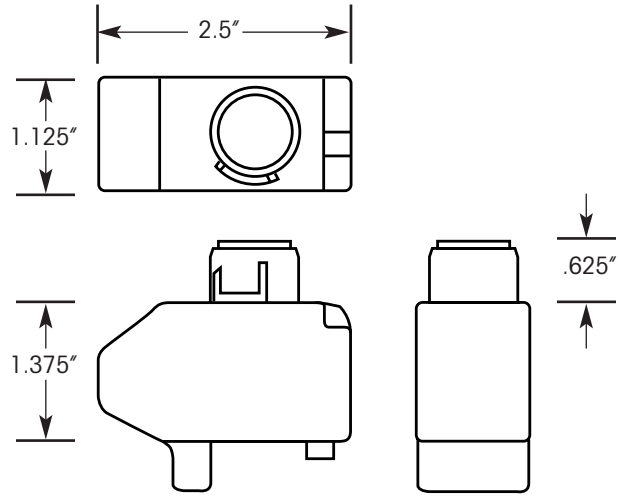
5229 Edina Industrial Boulevard
Minneapolis, Minnesota 55439
Phone 952 829 1900
FAX 952 829 1901
1-800-922-8004
www.ilc-usa.com



TR-RETRO 120 & 277 Relays

Self-Powered Transformer Retrofit Relay

Physical Dimensions



Specifications

Physical:

- Mounts in standard 1/2" K.O. .865" – .875"
- Operates in any position

Electrical:

- 120 or 277 VAC
- Motor Loads
 - 1 Hp @ 120 VAC
 - 1 1/2 Hp @ 277 VAC
- 20 amp Ballast 277 VAC
- Resistive loads: 20 AMPS 277 VAC

Operating Environment:

- Location Interior space
- Operating Temperature 0° to 50° C (32° to 112° F)
- Relative Humidity 10% to 95%
- Atmosphere Non-condensing, Non-explosive, Non-corrosive
- Vibration Stationary application NEMA Level A

Certifications:

- UL
- FCC approval for commercial and residential use

INTELLIGENT LIGHTING CONTROLS, INC.

5229 Edina Industrial Boulevard
Minneapolis, Minnesota 55439
Phone 952 829 1900
FAX 952 829 1901
1-800-922-8004
www.ilc-usa.com

How to Order

Ordering a **TR-RETRO** Relay
Order No. TR-RETRO120 (sample)

TR-RETRO _ _ _ _

Power Supply
(120 or 277)