

EPC-2

Emergency Power Control For Switched Loads

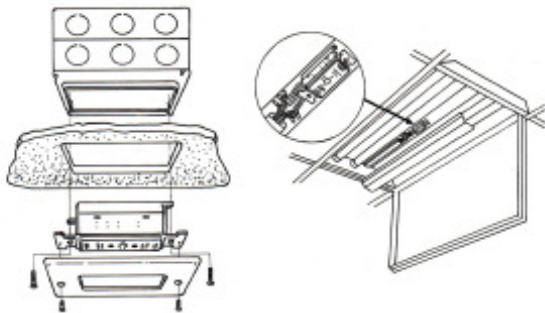
Project:

Model No.:

Comments:



MOUNTING



APPLICATION

In the past, emergency lights were kept on 24 hours a day to meet life safety codes. Now, you can use a UL 924 listed Emergency Power Control, Model EPC-2, to convert regular light fixtures into approved emergency lights. The EPC-2 saves energy and money while ensuring compliance with both life safety and energy codes.

During normal operation, the same switch, occupancy sensor, relay panel, or lighting control can switch regular and emergency fixtures on and off simultaneously.

During a utility power interruption, the EPC-2 automatically bypasses the regular lighting controls, turning the emergency lights ON at full brightness, regardless of switch position.

The EPC-2 is ceiling or wall mounted in a junction box with a single gang plaster ring and is usually located in the area where the emergency fixtures are installed.

FEATURES

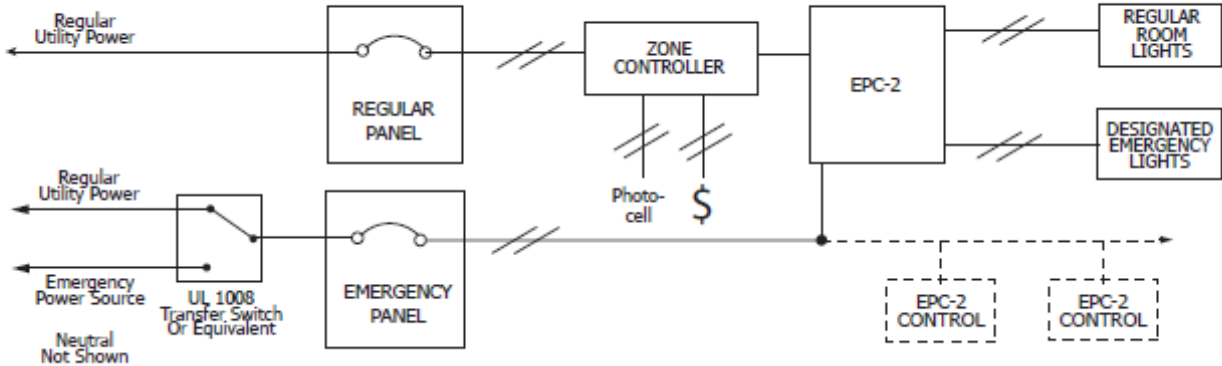
- Unique, Patented Automatic Diagnostic
When the room switch is turned off, the EPC-2 will run a 2.5 self-test routine, verifying that the emergency power source was available and that the EPC-2, ballast, and lamp(s) are all functioning correctly. This feature eliminates the need for time-consuming and costly manual monthly testing and is approved for this purpose. This also allows the unit to be installed in remote or inaccessible locations, because the unit does not rely on access to its manual test switch.
- Fire Alarm, Remote Test Options
- Utility & Emergency Power Indicator LED's
- Slim, attractive flush mount profile allows easy access to manual test switch and LED's.



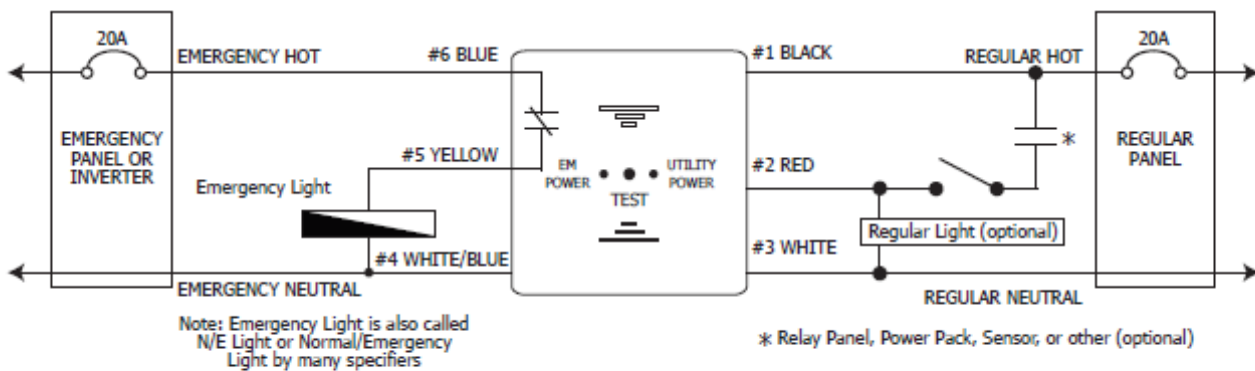
INTELLIGENT LIGHTING CONTROLS, INC.

5229 Edina Industrial Boulevard
Minneapolis, Minnesota 55439
Phone 952 829 1900
FAX 952 829 1901
www.ilc-usa.com

SINGLE LINE DRAWING



WIRING DIAGRAM



SPECIFICATIONS

| | | |
|------------|---------------------|-----------------------------|
| ELECTRICAL | MODEL NO. | EPC-2 |
| | SENSING INPUT | 120V - 277V |
| | LOAD RATING | 120V - 277V (20A) |
| | BALLAST LOAD RATING | 20A (120-277V) |
| | INCANDESCENT LOAD | 1200W (120V) / 1500W (277V) |
| | WARRANTY | 5 Year Replacement Warranty |

| | | |
|------------|-------------------------|--|
| MECHANICAL | MOUNTING | 4-11/16" Junction Box w/ single gang plaster |
| | RATING | UL94-5VA |
| | SHIPPING WEIGHT / COLOR | 12 oz. / White |
| | TEMPERATURE | 32°F - 140°F (0°C - 60°C) |
| | FLUSH MOUNTED SIZE | Single Gang Plate |
| | BODY SIZE | 1.7" x 3" x 1.2" (W x H x D body) |

ORDERING INFORMATION

EPC-2

ADDITIONAL RESOURCES

- Installation Sheet
- FAQ Sheet
- Alternative Wiring Sheet
- Terms & Conditions/Warranty Information



INTELLIGENT LIGHTING CONTROLS, INC.

5229 Edina Industrial Boulevard
 Minneapolis, Minnesota 55439
 Phone 952 829 1900
 FAX 952 829 1901
 www.ilc-usa.com