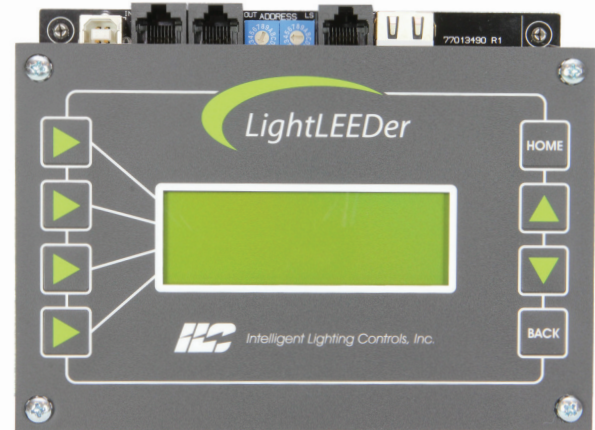




- Made in the USA
- Used for controlling LL-2RC, LL-4RC, and LL-4X remote panels
- Adds standard panel capabilities to remote panels
- USB, modem and TCP/IP connectivity available
- Integrated surge suppression
- Built in programming, backup and restore
- Connect up to 16 LL-2RC, -4RC, or -4X panels
- Remote mounting options



LightLEEDer Common
Add-on Devices

Overview

The LightLEEDer Expansion Processor gives the LightLEEDer-2RC, -4RC, and -4X remote panels all of the features of a standard LightLEEDer panel which include networking and time scheduling. Processors include a keyboard/LCD along with USB and optional TCP/IP or modem connection for programming with the complementary LightLEEDer Pro Software. Add-On modules are also available for connecting to BAS, theatrical, or security systems.

Features

General Information:

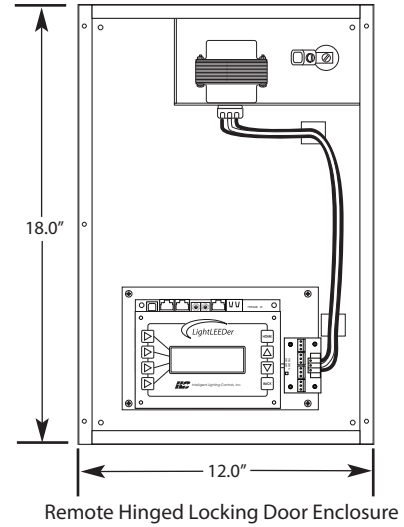
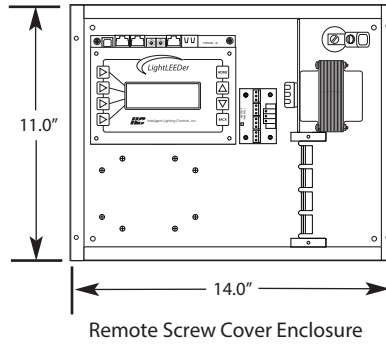
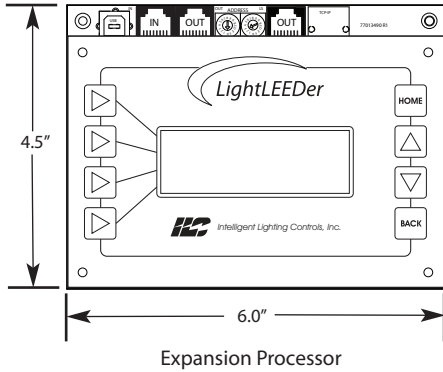
- **Made in the USA**
- **Controls** up to 16 remote LL-2RC, -4RC, and -4X panels
- **Adds** standard panel capabilities to remote panels
- **Programming Options** are done with a Integral keypad with 4 line LCD Display or using LightLEEDer Pro software via USB or optional TCP/IP or optional modem
- **LightSync Data Line Device Ready** utilizing RJ45 connectors and standard CAT-5 cabling for data line
- **Network Capability** gives you the ability to connect up to the LightLEEDer network.
- **Internet Capability** to interconnect panel networks across the internet
- **Relay Groups** can be comprised of any relay on the network and assigned to any of the 256 groups available can be controlled by any timer, switch, or other external commands
- **Relay Presets** can be programmed from any relay ON/OFF patterns and be assigned to any of the 256 presets available and can be controlled by any timer, switch, or other external commands
- **Timer Scheduling** for 128 available timers that can turn relays ON or OFF for Time-of-Day, Astronomical times, and Open/Close.
- **Clock Functions** features Automatic Astronomical calculation of Sunrise and Sunset and Adjustable Daylight Saving Time and enable/disable feature
- **Add-On Modules** can be added to each controller which include BACnet IP, BACnet MSTP, Modbus RTU, Modbus ASCII, Modbus TCP, N2, LonWorks, DMXS12, DTMF telephone switching and modem

Safeguards:

- **Power surge and spike suppression** up to 123 volts on the 24VAC power input
- **Data Line surge and spike suppression** up to 8kv direct and 15ky thru air
- **Memory retention** for firmware and programming up to 200 years and electrostatic discharge to 4kv
- **Real-Time-Clock time retention** 45 days or greater without power
- **Internal memory backup** and restore



Physical



Specifications

Expansion Processor Physical:

- 6.0"W x 4.5"H x 2.0"D
- Mounts in lighting panel or remotely
- Digital addressing switches
- RJ45 data line connectors
- USB interface

Remote Screw Cover Enclosure Option:

- 14"W x 11"H x 6"D
- NEMA 1 enclosure
- Screw cover
- Provided with pre-drilled mounting holes
- High voltage barrier separate low/high voltage wiring
- Transformer provided
- Room for other accessories

Remote Hinged Locking Door Enclosure Option:

- 12"W x 18"H x 4"D
- NEMA 1 enclosure
- Hinged locking door
- Slam latch provided
- Provided with pre-drilled mounting holes

Remote Hinged Locking Door Enclosure Option (Cont.):

- High voltage barrier separate low/high voltage wiring
- Transformer provided
- Room for other accessories

Electrical:

- 120 or 277 VAC @ 1 Amp, 347 VAC optional

Operating Environment:

- Location: Interior space
- Operating Temperature: 0° to 50° C
- Humidity: 10% - 90% Non-condensing
- Atmosphere: Non-explosive/corrosive
- Vibration: Stationary

Certifications and Approvals:

- UL
- CUL
- FCC Part 15
- Title 24
- ASHRAE compliant
- LEED compliant

Ordering

