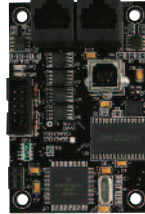
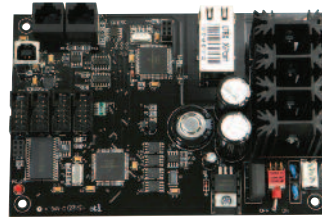




- Controls network communications
- Enables interconnections between panels
- Syncs clocks and data between panels
- Allows panel network LightSync devices
- USB or TCP/IP connections to a PC
- Panel mount or remote panel w/ hinged locking door



Basic Network Controller



Advanced Network Controller



Remote Advanced Network Panel
W/ Hinged Locking Door

Overview

The LightLEEDer Network Controller Modules manage network activities including syncing panel clocks, and data between panels. The Basic Network Module manages communication between up to 254 panels, allows up to 254 LightSync devices on the panel network, and provides USB connection to a PC. The Advanced Network Module allows the features of the Basic Network Controller. Additional features include high-speed LightSync device scanner with data line power, single point gateway options, and TCP/IP to host communications. The Advanced Network controller can double stack on top of a processor in any panel, or is available in a NEMA 1 enclosure with a hinged locking door. This provides a remote panel with room for Gateways, PSR's, and other required devices.

Features

Basic Network Controller General Information:

- **Network** up to 254 panels
- **Made in the USA**
- **Communications** are controlled across the network
- **254 LightSync devices** permitted on the panel network
- **USB connection** throughout the network for programming and control
- **Installs directly** into any panel
- **RJ45 connectors** for easy connection to the network
- **Ribbon connectors** for easy installation into any panel

Advanced Network Controller General Information:

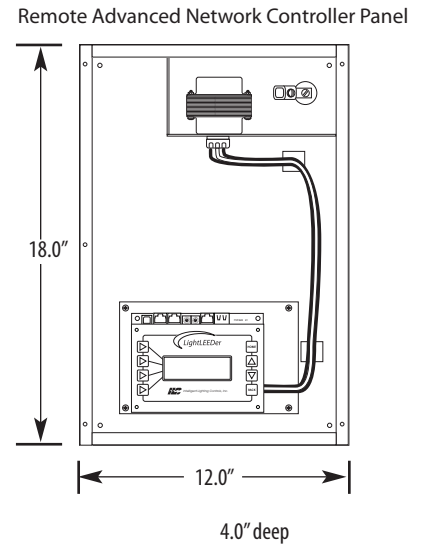
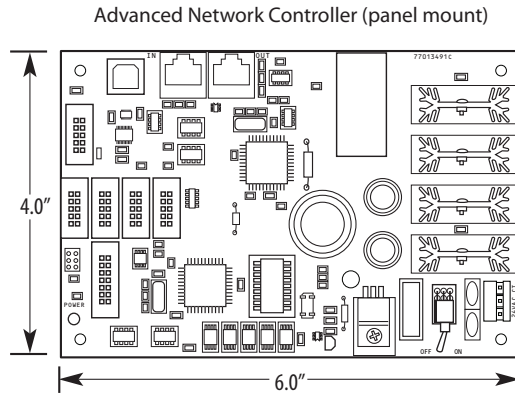
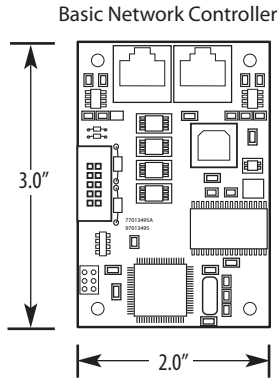
- **Provides** all Basic Network Controller features
- **High speed LightSync device** scanner for fast communications
- **Ethernet port** for TCP/IP connection for programming and control
- **4 Gateways** ports for single point connections to the BAS system
- **Powers data line** for LightSync devices

Remote Advanced Network Controller Panel General Information:

- **Provided** with a NEMA 1 enclosure w/ hinged locking door
- **Segregates** Advance Network Controller from lighting controller
- **Localizes** network access point to any control room
- **Mounts** anywhere on the LightSync network
- **Customize** with any of the available Gateways, PSR boards, or other devices. Contact ILC for more information



Physical



Specifications

Physical

Panel Mount:

- Basic: 2" Wide X 3" High
- Advanced: 6" Wide X 4" High
- Removable power connector
- USB connector
- RJ45 Ethernet connector

Advanced Remote Panel W/ HLD:

- 12" Wide X 18" High X 4" Deep
- NEMA1 enclosure with knockouts
- Hinged locking door provided
- ANSI 61 gray finish
- Mounting holes provided
- High voltage divider

Electrical:

- Panel Mount: Powered from panel
- Remote Panel: 120/277 VAC, 1 Amp

Configuration:

- Software programming
- Directly through keypad

Operating Environment:

- Location: Interior space
- Operating Temp.: 0° to 50° C
- Humidity: 10% - 90% Non-condensing
- Atmosphere: Non-explosive/corrosive
- Vibration: Stationary

Certifications and Approvals:

- UL
- CUL
- FCC Part 15

Ordering

