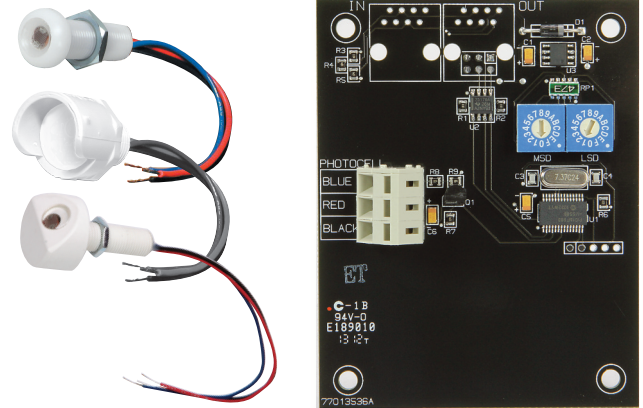




LIGHTSync™ Photo Sensor

Network Photo Sensor Controller
Indoor or Outdoor Sensor

- Monitors light levels indoors or outdoors
- Light range from 0 to 1800 foot candles
- Communicates directly on the data line
- Panel or remote mounted electronics
- 8 individually adjustable on and off control points
- Adjustable photocell filter
- Made in the USA
- Powered directly from the data line



Overview

The LightSync Photo Sensor monitors light levels and transmits data across the LightSync network to the lighting control panels. Each sensor has 8 individual set points for on or off control with a selectable dead-band and is programmable to control any or all relays, groups, or presets. Each sensor has a built-in adjustable filter to eliminate false triggering from lightning or other light sources. This sensor can be used for daylight harvesting to shed lighting loads or used with a dimming module to dim loads. The indoor and outdoor photocell heads convert the analog light levels to a digital form and are UV and weather resistant.

Features

- **Light levels** monitored indoors or outdoors to 1800 foot candles
- **Made in the USA**
- **Control points** consist of 8 individual On and Off inputs
- **Dead-band** for each control point
- **Analog to digital** photocell heads
- **Photocell filter** to eliminate false triggering of loads
- **Digitally addressable** device for a unique address
- **RJ45 connectors** for easy data line connections
- **Mounting options** for in the panel or at a remote location
- **UV resistant** photocell heads
- **Encased photocell head** protects sensor from the elements
- **Connectors** are push-to-connect

Safeguards:

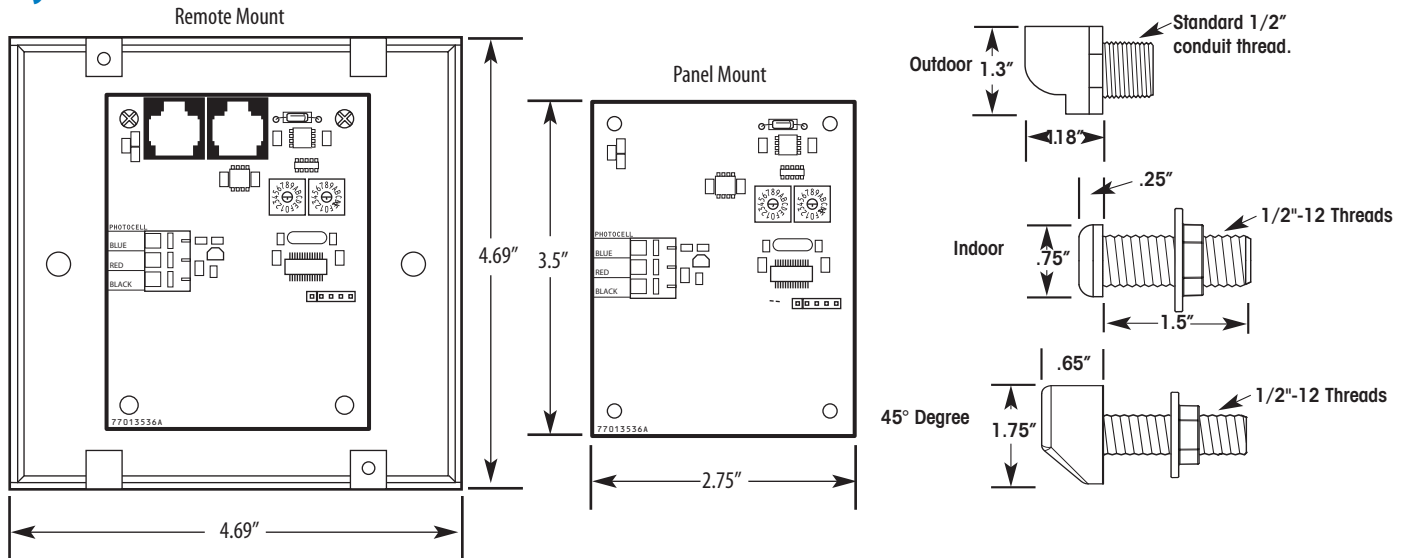
- Photocell filter to eliminate false triggering of loads
- UV resistant photocell heads
- Encased outdoor photocell head protects sensor from the elements



LIGHT Sync™ Photo Sensor

Network Photo Sensor Controller
Indoor or Outdoor Sensor

Physical



Specifications

Controller Physical:

- 2.75" Wide x 3.50" High
- Digital addressing switches
- Power out and digital input connections
- Remote mount has RJ45 connectors easy data line connections
- Remote mount provided with a 4.69" x 2.25" deep steel box with cover
- Panel mount supplied with connector for direct connection onto a relay driver board
- Push-to-connect photo sensor input

Electrical:

- Powered from the panel or the LightSync network

Photocell Heads:

- Outdoor photocell mounts in a 1/2" LB type fitting or junction box
- Indoor photocell mounts to ceiling tile or other structure
- Indoor 45 degree photocell mounts to ceiling or other structure. Angled for light harvesting.

Controller Operating Environment:

- Location: Interior Space
- Operating Temp.: 0° to 50° C
- Humidity: 10% to 90% Non-condensing
- Atmosphere: Non-explosive/corrosive
- Vibration: Stationary

Photocell Operating Environment:

- Location: Interior/Exterior Space
- Operating Temp.: -35° to 50° C
- Humidity: 10% to 100% Condensing
- Atmosphere: Non-explosive/corrosive
- Vibration: Stationary

Certifications:

- UL CUL
- FCC Part 15

Ordering

