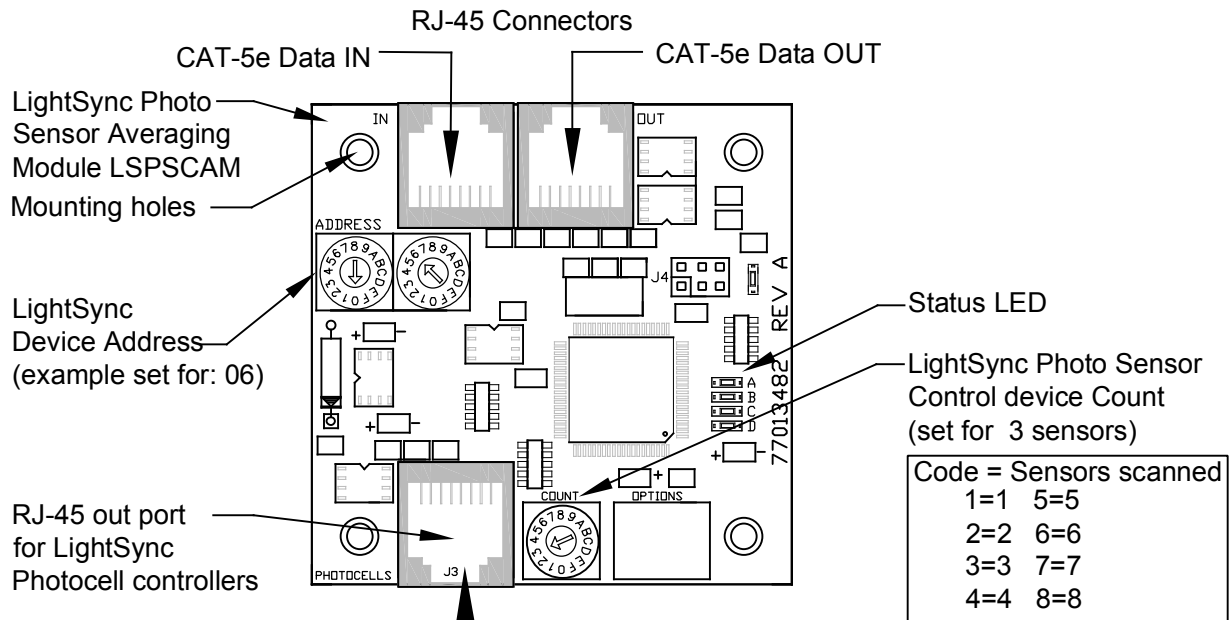
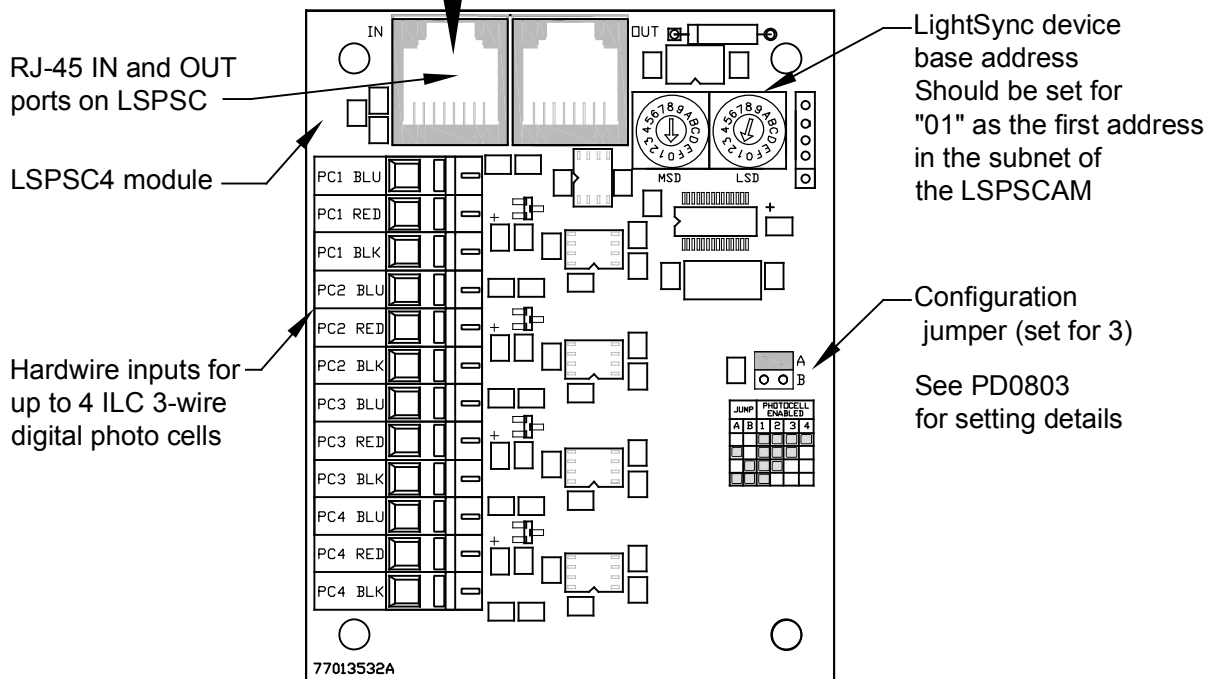


LightSync Photo Sensor Controller Averaging Module Product Details



Cat-5 cable between Averaging Module and LightSync Photo Sensor Controller modules

The LightSync Photo Sensor Control Averaging Module (LSPSCAM) is used to average the sensor reading of 2 to 8 LSPSC modules connected to its Photocell RJ-45 out port. Typically used with a LSPSC4 module as shown below to provide 2-4 photocell inputs for averaging.



This can be used with any combination of LSPSC or LSPSC4 modules for up to 8 sensors averaged in the LSPSCAM.

