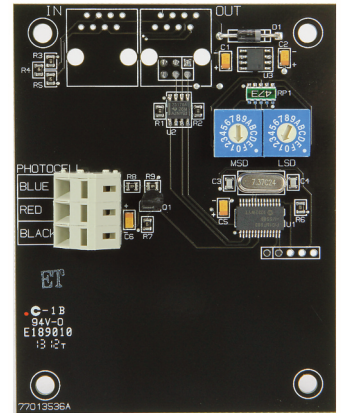


LightSync Digital **Photo Sensor**

Overview

The LightSync Photo Sensor monitors light levels and transmits data across the LightSync network to the lighting control panels. Each sensor has 8 individual set points for on or off control with a selectable dead-band and is programmable to control any or all relays, groups, or presets. Each sensor has a built-in adjustable filter to eliminate false triggering from lightning or other light sources. This sensor can be used for daylight harvesting to shed lighting loads or used with a dimming module to dim loads. The indoor and outdoor photocell heads convert the analog light levels to a digital form and are UV and weather resistant.



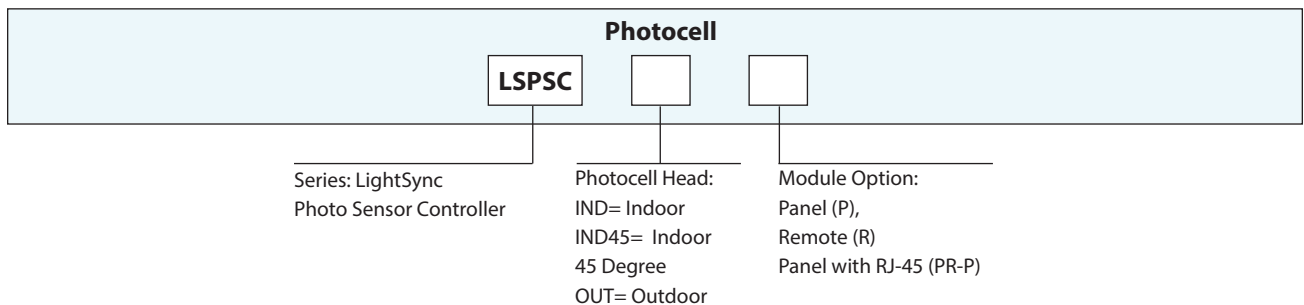
Features

- **Made in the USA**
- **Digital CAT 5** ready
- **Light levels** monitored indoors or outdoors to 1800 foot candles
- **Control points** consist of 8 individual On and Off inputs
- **Dead-band** for each control point
- **Analog to digital** photocell heads
- **Photocell filter** to eliminate false triggering of loads
- **Digitally addressable** device for a unique address
- **Panel mount (P)** installs directly on output board
- **Remote mount (R)** provided with 4-11/16" J- box
- **Panel mounted with Plate (PR-P)** module with RJ-45 and mounting plate for 2 modules
- **UV resistant** photocell heads
- **Encased photocell head** protects sensor from the elements
- **Connectors** are push-to-connect

Warranty

Six-year limited warranty

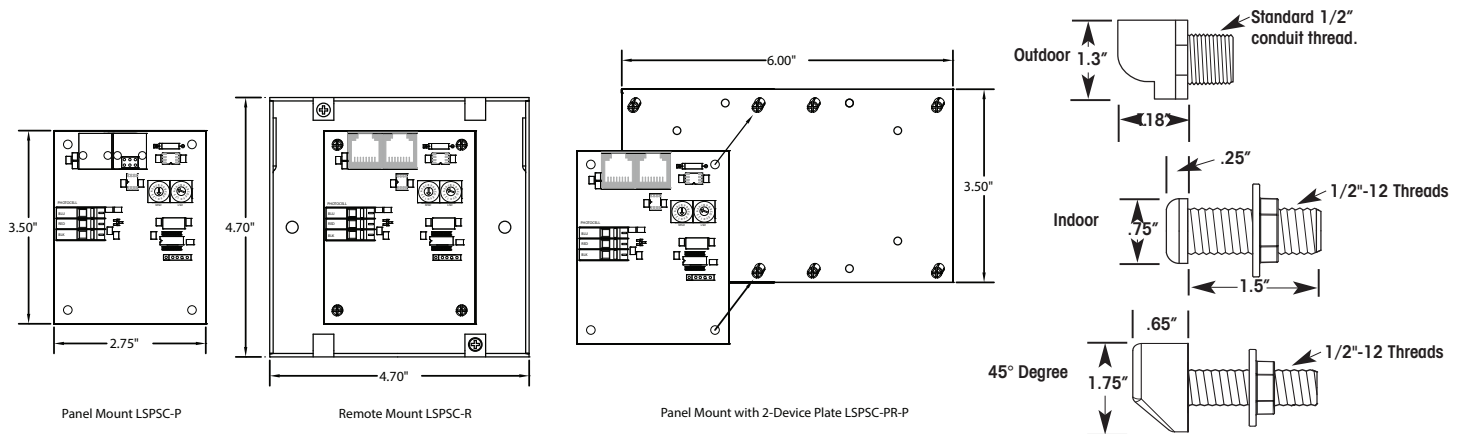
Ordering



LightSync Digital

Photo Sensor

Physical



Specifications

Physical:

- 2.75" Wide X 3.5" High
- Easy non-screw push-to-connect terminals
- Digital addressing switches
- RJ45 connectors for remote mounting options
- R option provided with 4-11/16" junction box
- PR-P option provided with 6.0" x 3.5" mounting plate

Electrical:

- Powered from the panel or the LightSync network

Photocell Heads:

- Outdoor photocell mounts in a 1/2" LB type fitting or junction box
- Indoor photocell mounts to ceiling tile or other structure
- Indoor 45 degree photocell mounts to ceiling or other structure. Angled for light harvesting.

Controller Operating Environment:

- Location: Interior Space
- Operating Temp.: 0° to 50° C
- Humidity: 10% to 90% Non-condensing
- Atmosphere: Non-explosive/corrosive
- Vibration: Stationary

Photocell Operating Environment:

- Location: Interior/Exterior Space
- Operating Temp.: -35° to 50° C
- Humidity: 10% to 100% Condensing
- Atmosphere: Non-explosive/corrosive
- Vibration: Stationary

Certifications:

- UL CUL
- FCC Part 15