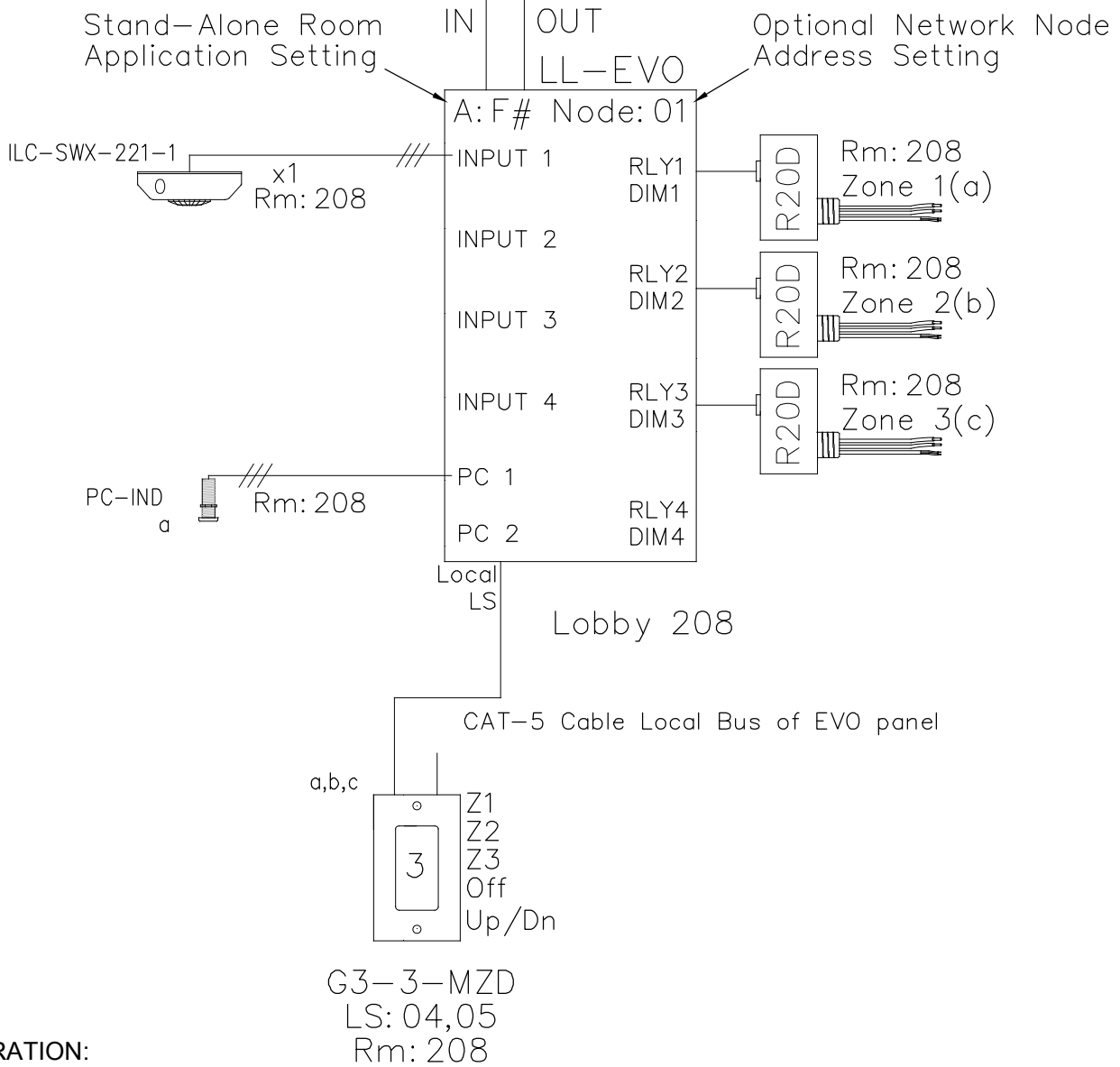


# LOBBY

## ASHRAE DESIGN GUIDE 90.1 - 2010

### RISER DIAGRAM

CAT-5 Data Cable For Network System Option



**OPERATION:**  
 Switch ON/OFF  
 On Level set for 50% dimming  
 Motion sensor set for Vacancy  
 Photocell limits max level in daylight zones



5229 Edina Industrial Blvd.  
 Minneapolis, MN 55439  
 952.842.2564 | 800.922.8004  
 ilc-usa.com

XX				Project:	Title:
NUMBER	REVISIONS	DATE	SHEET INFORMATION		
A	Code Riser CR0208	5-6-19	DATE:	5-6-19	
1	-	-	SCALE: NONE		
			DRAWN BY: JM		

<b>LOBBY</b> <b>ASHRAE 90.1</b> <b>RISER</b>		GO#	Sheet:
		219xxxx	CR0208