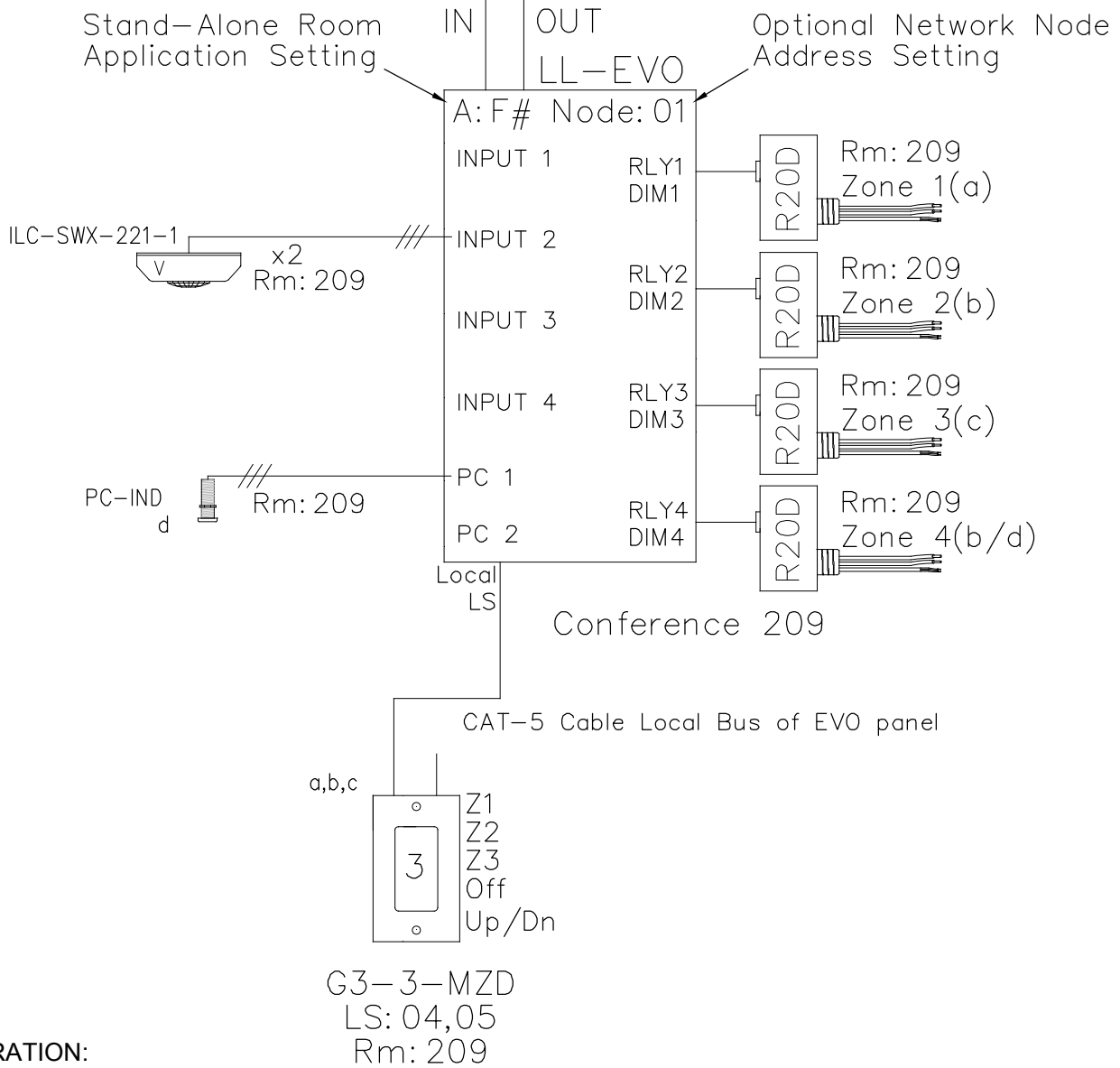


CONFERENCE ROOM ASHRAE DESIGN GUIDE 90.1 - 2010 RISER DIAGRAM

CAT-5 Data Cable For Network System Option



OPERATION:
 Switch ON/OFF
 On Level set for 50% dimming
 Motion sensor set for Vacancy
 Photocell limits max level in daylight zones



5229 Edina Industrial Blvd.
 Minneapolis, MN 55439
 952.842.2564 | 800.922.8004
 ilc-usa.com

XX				Project:	Title: CONFERENCE ROOM ASHRAE 90.1 RISER
NUMBER	REVISIONS	DATE	SHEET INFORMATION		
A	Code Riser CR0209	5-6-19	DATE:	5-6-19	
1	-	-	SCALE: NONE		
			DRAWN BY: JM		

219xxxx	Sheet: CR0209
GO#	Sheet: