

EVO Lite **G3 Switch** 

Overview

The EVO Lite G3 Switch is a cost effective, versatile and easy to use hardwired over Cat-5 device. 1 or 2 Zone control with Press-and-Hold Ramp-Up/Ramp-Down dimming from the EVO Lite Power Pack.



Features

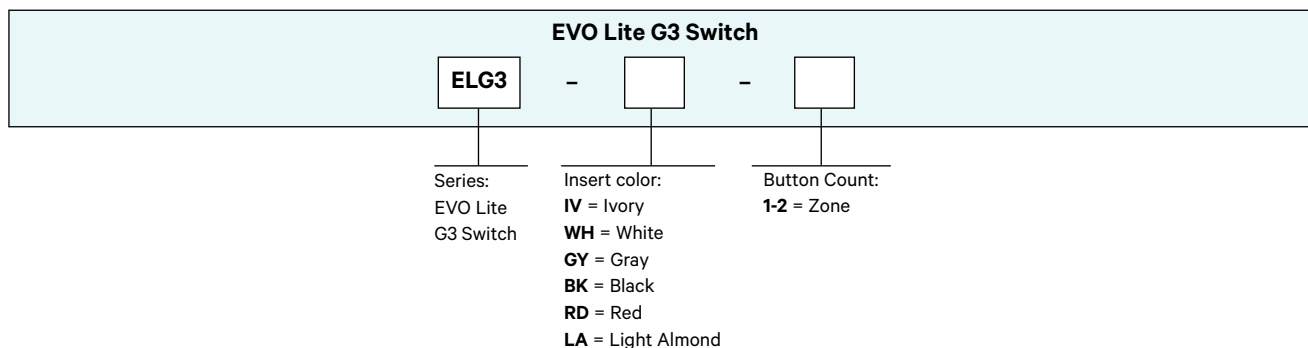
- **Made in the USA, meets BABA Requirements**
- **No Field configuring required**
- **Available in same colors** as G3 switches
- **Color change kits** available
- **RJ-45 ports** for hardwire CAT-5 connection to EVO Lite Power Pack
- **MZD capable** 2-Zone dimming
- **Matches LightSync G3 switches**
- **ILC blue** rear cover
- **Powered** from EVO Lite Power Pack



Warranty

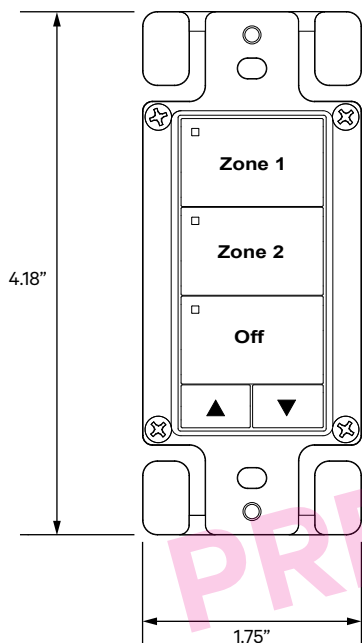
Five-Year limited warranty

Ordering

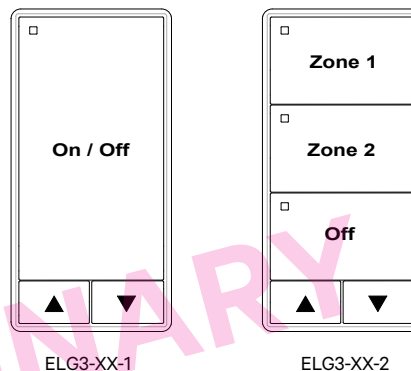


All ILC product configurations are built to be compliant with the Buy American Act of 1933 (BAA) or the Buy America Build America Act (BABA). BABA is the minimum Government compliance requirement for the Buy America Build America standards which is part of the Infrastructure and Investment Jobs Act (IIJA). Individual Government Agencies may have more stringent compliance standards. Please refer to the [DOMESTIC PREFERENCES](#) website or consult the CLS Domestic Preferences team for more information. Components shipped separately may be separately analyzed under domestic preference requirements.

Physical



ELG3 MZD Configurations



Specifications

Physical:

- Recommended for single-gang switch box mounting only (Not compatible with multi-gang, round-cornered mud rings)
- Hardwire over CAT-5, no addressing required
- RJ45 connectors provided for easy connection
- Mounting screws provided
- Laser engraving standard as shown, Black and Red buttons are pad-printed
- Custom engraving available
- 1.75" W x 4.18" H x 0.875"D

Electrical:

- Powered from EVO Lite Power Pack

Operating Environment:

- Location: Interior space
- Operating Temp.: 0° to 50° C
- Humidity: 10% - 90% Non-condensing
- Atmosphere: Non-explosive/corrosive
- Vibration: Stationary

Domestic Preferences:

Domestic preference options to meet BAA or BABA requirements. BABA is the minimum Government compliance requirement for the Buy America Build America standards which is part of the Infrastructure and Investment Jobs Act (IIJA). Individual Government Agencies may have more stringent compliance standards. Please refer to the [DOMESTIC PREFERENCES](#) website or consult the CLS Domestic Preferences team for more information. Components shipped separately may be separately analyze under domestic preference requirements.

Certifications and Approvals:

- FCC Part 15

See Technical Bulletin TB0620 for switch plate compatibility.