

EVO Lite **Wall Sensor** 

Overview

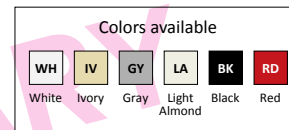
The EVO Lite Wall sensor is a cost-effective combination dual-tech occupancy sensor and switch station in a single device, featuring infrared and overlapping acoustic sensing. This sensor allows for hardwired connection over CAT-5 to the EVO Lite Power Pack.

Selectable dual-tech or PIR-only modes, timeouts, and sensitivities allow adjustments for superior performance in any space. The ELWS matches ILC's LSG3 family of digital switches, is available in the same 6 colors and 1 or 2 Zone stations configurations supporting Multi-Zone Dimming.



Features

- **Made in the USA, meets BABA Requirements**
- **Dual Tech PIR and acoustic sensor**
- **Raise and Lower Buttons** for ramp up and ramp down feature

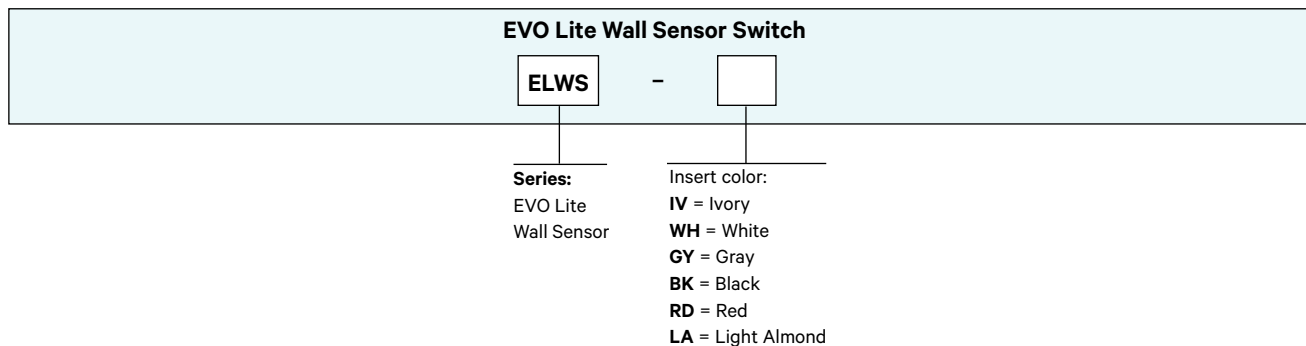


PRELIMINARY

Warranty

Five-Year limited warranty

Ordering

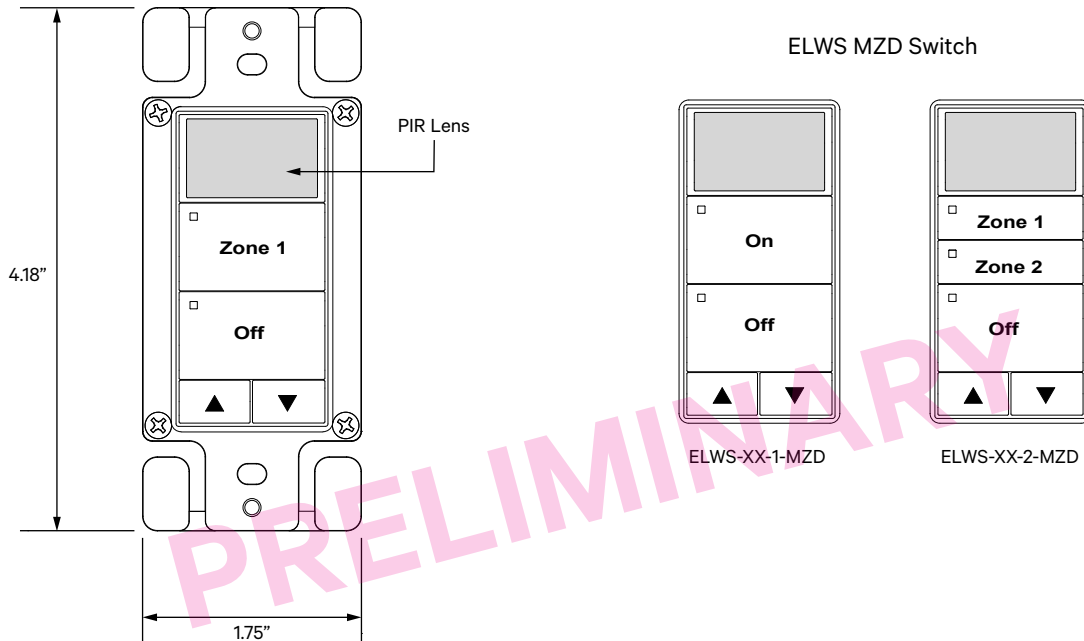


All ILC product configurations are built to be compliant with the Buy American Act of 1933 (BAA) or the Buy America Build America Act (BABA). BABA is the minimum Government compliance requirement for the Buy America Build America standards which is part of the Infrastructure and Investment Jobs Act (IIJA). Individual Government Agencies may have more stringent compliance standards. Please refer to the [DOMESTIC PREFERENCES](#) website or consult the CLS Domestic Preferences team for more information. Components shipped separately may be separately analyzed under domestic preference requirements.

EVO Lite

Wall Sensor

Physical



Specifications

Physical:

- 1.75" W x 4.18" H x 0.875"D

Operation:

- Available in 1 or 2 Zone

Electrical:

- Powered from EVO Lite Power Pack

Operating Environment:

- Location: Interior space
- Operating Temp.: 0° to 50° C
- Humidity: 10% - 90% Non-condensing
- Atmosphere: Non-explosive/corrosive
- Vibration: Stationary

Domestic Preferences:

Domestic preference options to meet BAA or BABA requirements. BABA is the minimum Government compliance requirement for the Buy America Build America standards which is part of the Infrastructure and Investment Jobs Act (IIJA). Individual Government Agencies may have more stringent compliance standards. Please refer to the [DOMESTIC PREFERENCES](#) website or consult the CLS Domestic Preferences team for more information. Components shipped separately may be separately analyze under domestic preference requirements.

Certifications and Approvals:

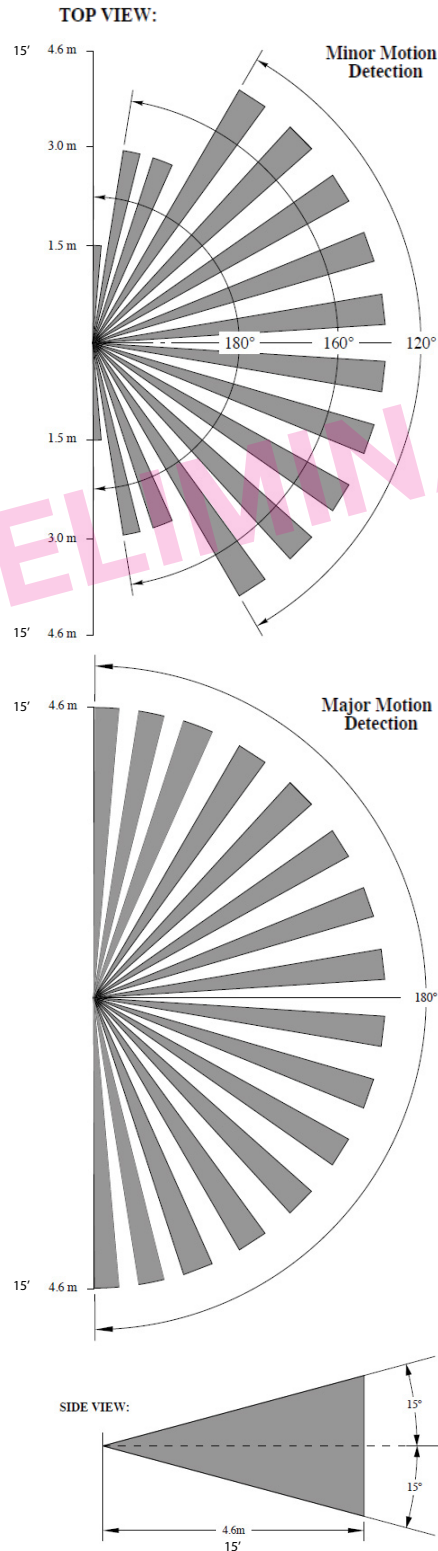
- FCC Part 15

See Technical Bulletin TB0620 for switch plate compatibility.

EVO Lite

Wall Sensor

Coverage



PRELIMINARY