



A **Cooper Lighting Solutions** business

LightLEEDer-EVO

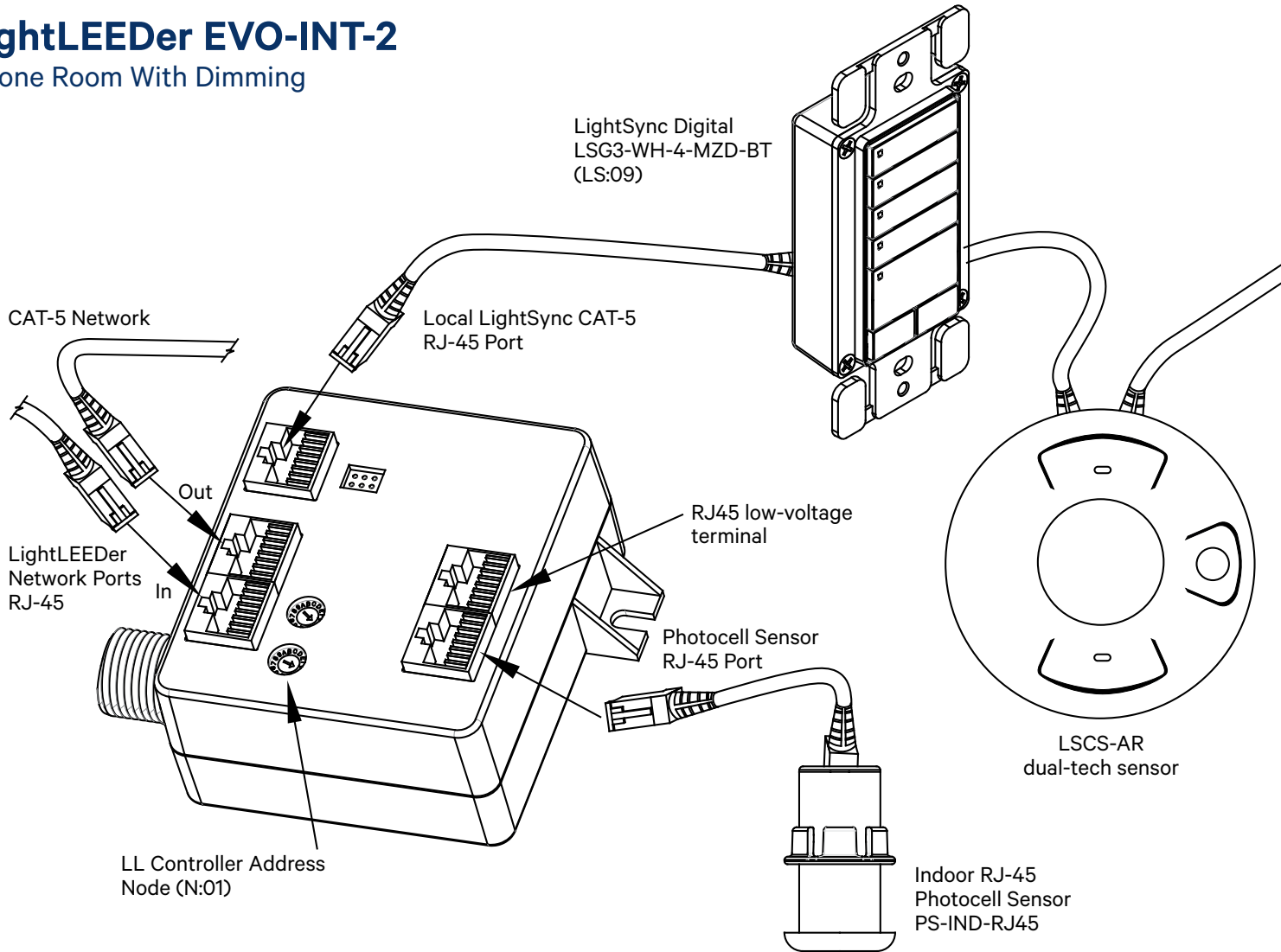
Distributed Lighting Controls Simplified

Made in the USA | Five-year Warranty

LightLEEDer-EVO

Distributed Lighting Controls Simplified

LightLEEDer EVO-INT-2 2 Zone Room With Dimming



By simply setting the LS address of the multi zone switch station, the pre-programmed LSEVO-INT-2 will accommodate a wide variety of applications. See LS addresses below catalog number in parentheses.



LSG3-WH-1-MZD (LS:04)



LSG3-WH-2-MZD-BT (LS:05)



LSG3-WH-3-MZD (LS:07)



LSG3-WH-4-MZD (LS:09)



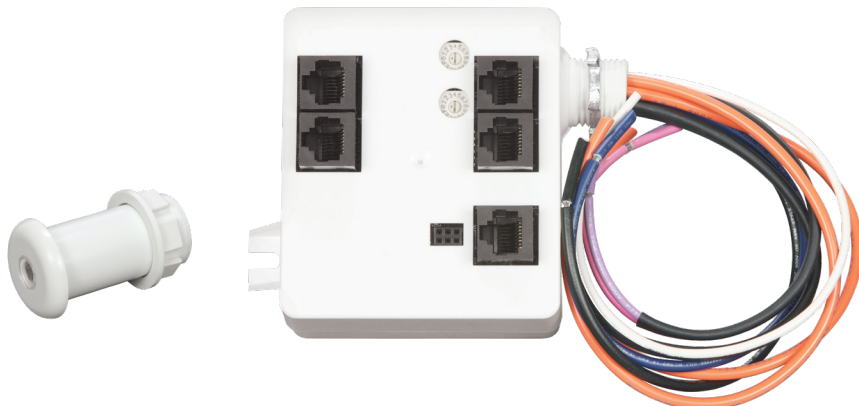
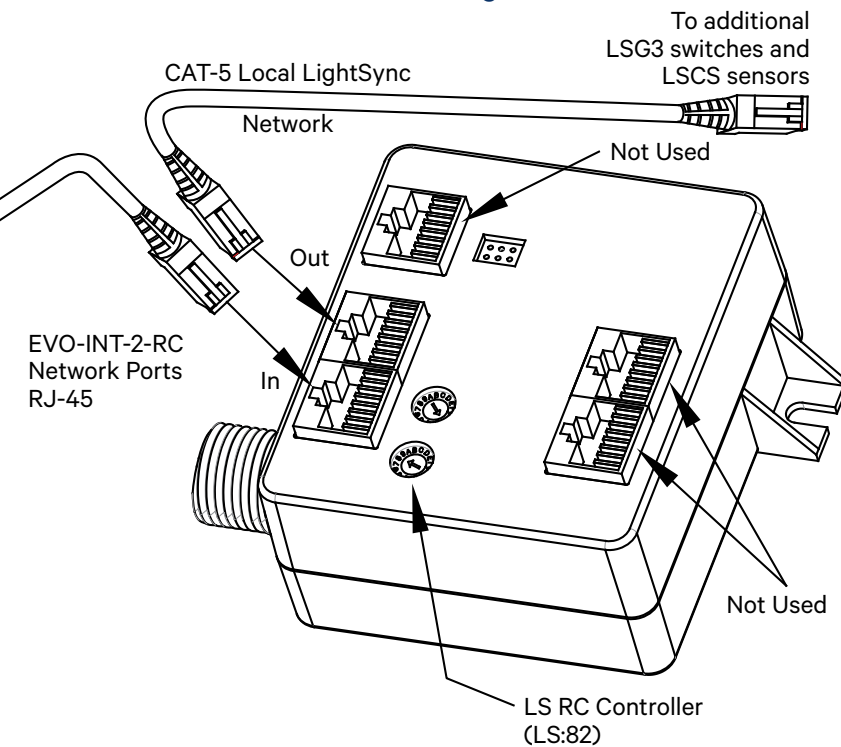
ILC CAT-5 Occupancy Sensor

Digital Switch - Colors available

WH	IV	GY	LA	BK	RD
White	Ivory	Gray	Light Almond	Black	Red

LightSync EVO-INT-2-RC

4 Zone Room With Dimming



Indoor RJ-45
Photocell Sensor
PS-IN D-RJ45

LLEVO-INT-2
Node Address (N:01)

Features and Benefits

- Pre-Programmed for Code Compliance to IECC 2021, ASHRAE 90.1 2018, and Title 24 2021**
 Connected motion sensors will automatically turn lights on to 50% out of the box. The daylight sensor will continuously dim lights on the first relay and be stepped down 10% for the secondary daylight zone. The Multi Zone Dimming switch stations will function if addressed correctly. All of this is done without the need for factory tech programming, saving the contractor time and labor costs, and allowing projects to be completed more quickly.
- Vacancy Sensor Mode**
 Installer can select address F1 for ten seconds to change the motion sensor's mode from "on" to 50%, to "manual on" from the switch, and "auto off" from the motion sensor.
- Fully CAT5/CAT6 connected system**
 All cable connections are CAT5, which allows cables to be purchased off the shelf, reducing wiring errors and shortening the construction timeline.
- Field Replaceable Without the Need for Expensive Re-Programming**
 In the event of hardware failure, the room controller, digital switches, motion sensors, and daylight sensors can be field replaced without the need for expensive re-programming by a factory field technician.
- Connections for Two Branch Circuits**
 Further differentiating the product from the competition, the EVO Integrated Two controller allows one controller to control the lighting and plug load in one box, or mix voltages for the light fixtures it controls.
- Field Configurable Switches**
 The G3 switch cover is easily field replaced by removing four screws. This allows a customer to easily and inexpensively change color, or button count. These switches also have an option for Bluetooth compatibility with our IOS and Android app.

LLEVO-TC Distributed Controller and R20D-EM Dimming Relay with Emergency Bypass



(F1) Change room type programming by simply turning a dial. Programming has never been easier than it is with the LightLEEDer-EVO by ILC.



R20D-EM

Features and Benefits

- Pre-programmed for Code Compliance**
 Ideal for lobbies, corridors, and open offices, all motion sensors wired to the LLEVO-TC turn lights on to 100%, and the first button on each digital switch turns all relays connected to the controller on and off.
- Time Clock Control**
 Time clock functionality is included, whether in stand-alone or network mode.
- Individual Branch Circuit Wiring**
 The remote relays provide flexible field wiring for large open spaces, by utilizing distributed power packs, instead of home running circuits to a box. This eliminates the expense of additional wiring. Loads can be 120V or 277V for lighting or receptacle control.
- Remote 20 Dimming Relay with Emergency Bypass**
 This product is the first of its kind in the industry, allowing control of the normal fixtures and the emergency fixtures in the same zone using single power pack. Unlike other manufacturers this industry leading design uses one device rather than two and is UL924 rated, for path of egress lighting, dictated by NFPA 101.
- Field Configurable Switches**
 The G3 switch cover is easily field replaced by

removing four screws, allowing the customer to inexpensively change color or button count. These switches also have an option for Bluetooth compatibility with our IOS and Android app.

- Field Replaceable Without the Need for Expensive Re-Programming**
 In the event of hardware failure, the room controller, remote relays, digital switches, motion sensors, and daylight sensors can be field replaced without the need for expensive re-programming by a factory field technician. This reduces maintenance costs during the construction process and beyond.

The R20D-EM Relay combines both normal and emergency powered lighting control in the same device. Both loads operate together under normal conditions, when normal power is lost the Emergency load and 0-10V dimming are forced ON.

