

LightLEEDer

EVO

Overview

The LightLEEDer EVO is a distributed lighting controller that simplifies installation. The LLEVO comes pre-programmed for 16 common lighting applications that can be selected by turning a dial. The LLEVO can operate as stand-alone or networked, reverting to stand-alone automatically if the network is interrupted. Easily connect up to 4 R20D relays, via CAT-5 or -6 cable, the R20D relay can control lighting loads with 0-10V dimming or receptacles. Programming can be easily modified using the ILC Pro Bluetooth app or LightLEEDer Pro software. The LLEVO can be expanded up to 20 zones by adding an LSEVO-RC, LSEVO-INT-2-RC, LSEVO-4X/8X or LSLVD.



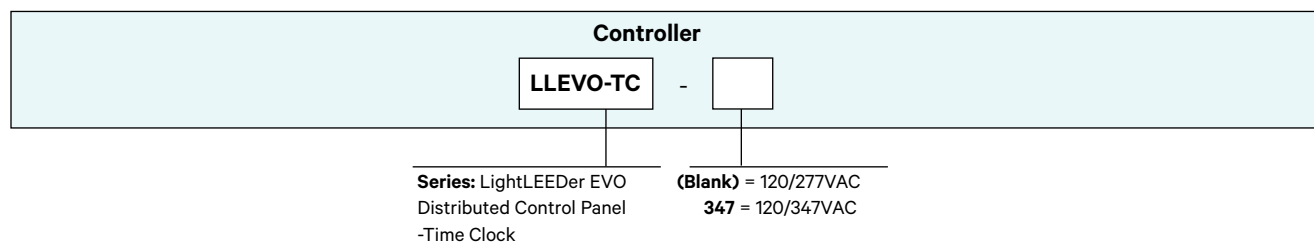
Features

- **Made in the USA**
- **RJ45 Outputs** for up to 4 R20 relays
- **Plug-load** compatible
- **Remote** mounted relay for direct connection to loads
- **Galvanically Isolated** 0-10 dimming for 4 zones
- **Status LED and Override** buttons for remote relay control
- **Daylight Control** for up to two spaces by adding PC-IND sensors
- **Standalone** or networked with any LightLEEDer controller
- **Time clock** includes 7/365-day calendar, Daylight Savings Time, Astronomic, Open/Close
- **200mA** power provided for occupancy or vacancy sensors inputs
- RJ45 connectors for networking and CAT-5 devices
- **Enclosure** suitable for plenum mounting

Warranty

Five-Year limited warranty

Ordering

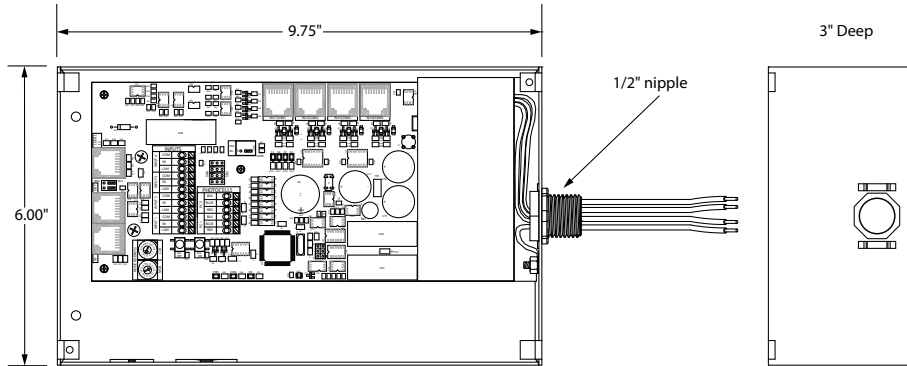


LLEVO-TC-xx
06-04-2024 Rev.C

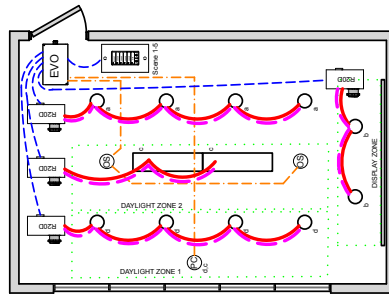
LightLEEDer

EVO

Physical



LLEVO Lighting Application: FC



WIRE LEGEND

- Line voltage
- 0-10V Dimming
- CAT-5e Data cable
- 3-Wire Occupancy Sensor or Photo Cell

Bill of Material:

Qt.	Product:	Description:
1	LL-EVO	EVO Controller
4	R20D	Remote 20Amp Dimming relay
1	LSG3-WH-S-S	LightSync G3 5-Scene dimming digital switch station.
1	PC-IND	Photo Cell - Indoor.
2	ILC-SWX-221-1	Occupancy sensor Ceiling Dual Tech - 500sf

LL-EVO Lighting Application: FC

Specifications

Safeguards:

- Power surge and spike suppression up to 123 volts on the 20VAC power input to controller
- Memory retention for firmware and programming up to 200 years and electrostatic discharge to 4kv
- Real time clock retention 45 days or greater without power
- Galvanically isolation to 1500V for the 0-10VDC dimmer outputs, with revert to 100% on power loss

Physical:

- Enclosure: 9-3/4"x 6"x 3" NEMA 1
- Galvanized steel enclosure and screw cover
- Provided with pre-drilled mounting holes
- High voltage barrier separates Class 2 wiring
- 1/2" nipple for mounting to electrical box
- 6" wire leads for high voltage connections
- Push to connect low voltage terminals
- Color coded labels for easy terminal identification
- RJ45 connectors provide for easy connection
- Enclosure, suitable for plenum mounting

Integrated Interfaces:

- 4 inputs for hardwire switches or occupancy sensors
- Photocell controller for 2 sensor heads or zones
- RJ-45 port for up to 61 ILC CAT-5 devices
- 4 RJ-45 ports for R20 remote relays

Electrical:

- 120/277VAC @.6 amps (120/347VAC Optional)
- Input: 24 VDC (See below for details)

- Dimming: 100mA sink
- Powered Devices/Distance/Input Power Draw:
 - 4 CAT-5 devices, 400' accumulative feet, 200mA occupancy sensor power
 - 5 CAT-5 devices, 500' accumulative feet, 160mA occupancy sensor power
 - 6 CAT-5 devices, 600' accumulative feet, 120mA occupancy sensor power
 - 7 CAT-5 devices, 700' accumulative feet, 90mA occupancy sensor power
 - 8 CAT-5 devices, 800' accumulative feet, 60mA occupancy sensor power
 - 10 Cat-5 LightSync devices, 800' accumulative feet, No (0mA) occupancy sensor power.
- Additional LightSync devices can be supported by adding a PSR4 or PSR6.

Operating Environment:

- Location: Interior space
- Operating Temperature: 0° to 50° C
- Humidity: 10% - 90% Non-condensing
- Atmosphere: Non-explosive/corrosive
- Vibration: Stationary

Certifications and Approvals:

- UL and CUL listed
- FCC Part 15
- Title 24
- ASHRAE compliant
- IECC compliant