

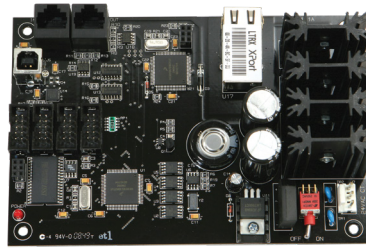
LightLEEDer

LightLEEDer Network Controller

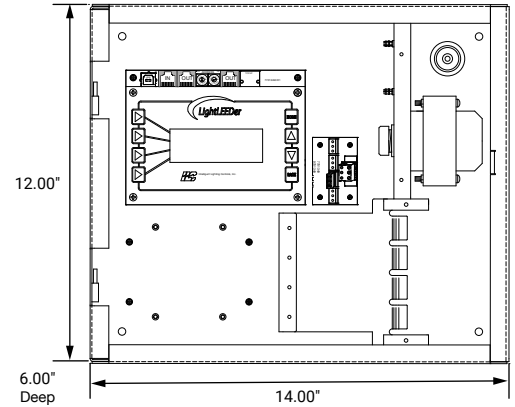


Overview

The LightLEEDer Network Controller module manages network activities including syncing panel clocks, and data between panels. It also manages communication between up to 254 panels, allows up to 254 LightSync devices on the panel network, and provides USB connection to a PC. In addition, it includes high-speed LightSync device scanning with data line power, single point gateway options, and TCP/IP to host communications. The LLNC can double stack on top of a processor in any panel, or is available in a NEMA 1 enclosure with a hinged locking door.



Network Controller



Remote Network Controller
W/ Hinged Locking Door

Features

- **Made in the USA, meets BABA Requirements**
- **Digital CAT-5 Ready**
- **Network** up to 254 panels
- **Communications** are controlled across the network
- **254 LightSync devices** permitted on the panel network
- **USB connection** throughout the network for programming and control
- **Installs directly** into any panel
- **Ribbon connectors** for easy installation into any panel
- **High speed LightSync device** scanner for fast communications
- **Ethernet port** for TCP/IP connection for programming and control

- **4 Serial ports** for Gateways providing single point connections to the BAS system

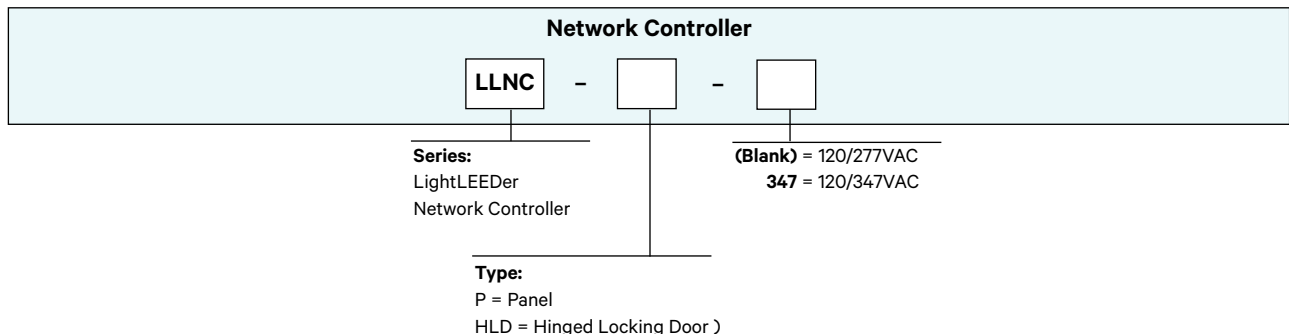
Remote Network Controller Panel General Information:

- **Provided** with a NEMA 1 enclosure w/ hinged locking door
- **Segregates** Network Controller from lighting controller
- **Localizes** network access point to any control room
- **Mounts** anywhere on the LightSync network
- **Custom** remote enclose available with any of the available Gateways, PSR, or other devices. Contacts ILC for more information.

Warranty

Five-Year limited warranty

Ordering

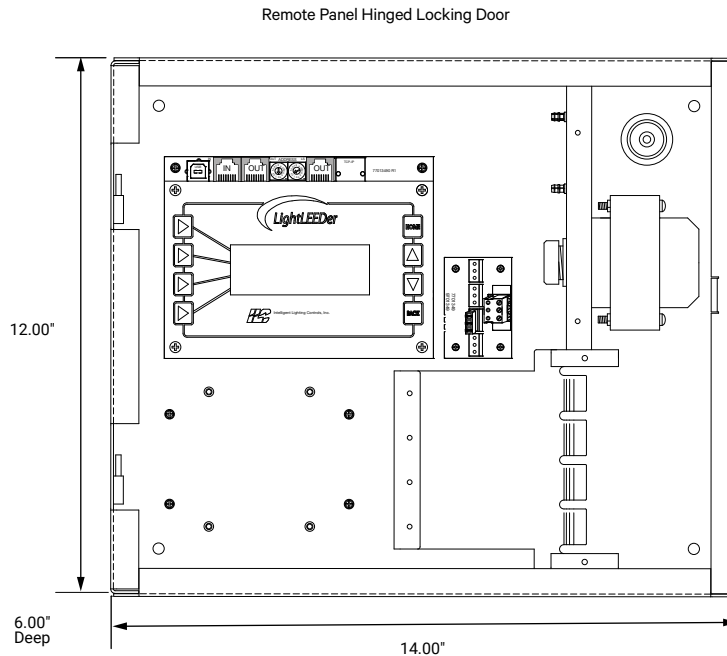


All ILC product configurations are built to be compliant with the Buy American Act of 1933 (BAA) or the Buy America Build America Act (BABA). BABA is the minimum Government compliance requirement for the Buy America Build America standards which is part of the Infrastructure and Investment Jobs Act (IIJA). Individual Government Agencies may have more stringent compliance standards. Please refer to the DOMESTIC PREFERENCES website or consult the CLS Domestic Preferences team for more information. Components shipped separately may be separately analyzed under domestic preference requirements.

LightLEEDer

LightLEEDer Network Controller

Physical



Specifications

Panel Mount:

- 6" Wide X 4" High
- Removable power connector
- USB connector
- RJ45 Ethernet connector

Advanced Remote Panel:

- 14" Wide X 12" High x 6" Deep
- ANSI 61 gray door
- Mounting holes provided
- High voltage divider
- NEMA1 galvanized enclosure
- Knockouts provided
- Surface mount hinge locking door

Electrical:

- Panel Mount: Powered from panel
- Remote Panel: 120/277 VAC @ 1Amp, or optional 120/347 VAC

Configuration:

- Software programming
- Directly through keypad

Operating Environment:

- Location: Interior space
- Operating Temp: 0° to 50° C
- Humidity: 10% - 90% Non-condensing
- Atmosphere: Non-explosive/corrosive
- Vibration: Stationary

Domestic Preferences:

Domestic preference options to meet BAA or BABA requirements. BABA is the minimum Government compliance requirement for the Buy America Build America standards which is part of the Infrastructure and Investment Jobs Act (IIJA). Individual Government Agencies may have more stringent compliance standards. Please refer to the [DOMESTIC PREFERENCES](#) website or consult the CLS Domestic Preferences team for more information. Components shipped separately may be separately analyzed under domestic preference requirements.

Certifications and Approvals:

- UL
- CUL
- FCC Part 15